



# BRAKE PAD PRIME CERAMIC P06095N

**The P06095N NAO brake pad is  
synonymous with reliability**

Brembo NAO brake pads stand out for their ultimate braking comfort, reduced friction wear and low dust mission, which makes for cleaner rims and reduced maintenance requirements. The advanced friction material in keeping with the strictest environmental standards is the main distinguishing feature of NAO compounds.

- ✓ OE-equivalent
- ✓ Brembo quality
- ✓ Safety
- ✓ Comfort
- ✓ Durability
- ✓ Dust reduction
- ✓ With accessories

## Technical specifications

EAN code  
**8020584113455**

Axle  
**Rear**

Thickness  
**17 mm**

Width  
**74 mm**

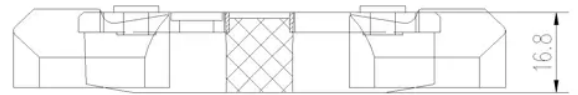
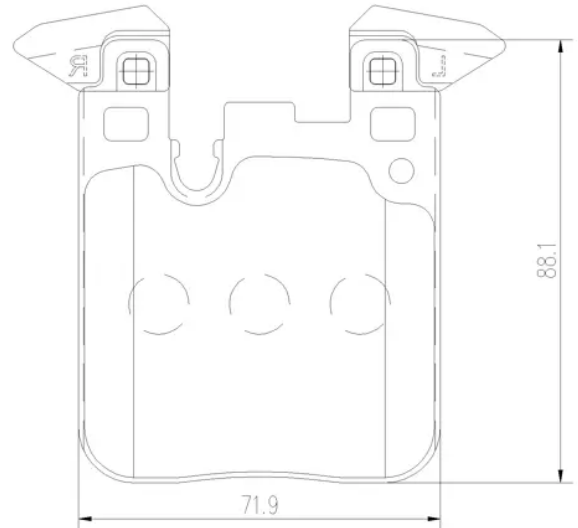
Height  
**88 mm**

Braking system  
**Teves**

Wear indicator  
**Prepared for wear indicator**

WVA number  
**25029**

Accessories  
**With counterweights  
With anti-squeal shim**



4PCS/SET

COMPATIBLE VEHICLES