



BRAKE PAD PRIME CERAMIC P09006N

The P09006N NAO brake pad is synonymous with reliability

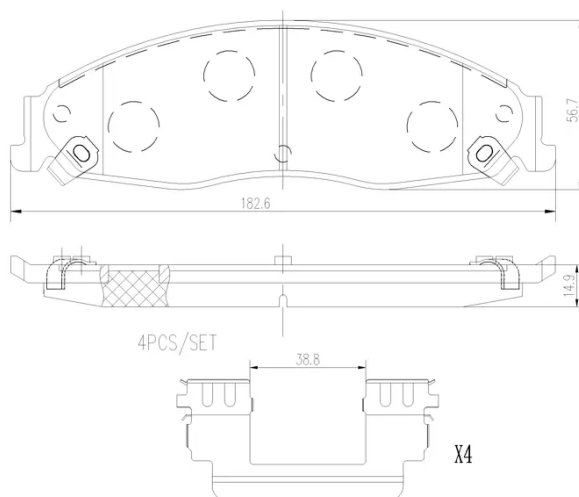
Brembo NAO brake pads stand out for their ultimate braking comfort, reduced friction wear and low dust mission, which makes for cleaner rims and reduced maintenance requirements. The advanced friction material in keeping with the strictest environmental standards is the main distinguishing feature of NAO compounds.

- ✓ OE-equivalent
- ✓ Brembo quality
- ✓ Safety
- ✓ Comfort
- ✓ Durability
- ✓ Dust reduction
- ✓ With accessories



Technical specifications

EAN code 8020584095997	Axle Front	Thickness 15 mm
Width 183 mm	Height 57 mm	Braking system Wagner
Wear indicator Acoustic	WVA number 23957,24303	Accessories With anti-squeal shim



COMPATIBLE VEHICLES

COMPATIBLE OE PART NUMBERS

88959947	CADILLAC
88959954	CADILLAC
89060358	CADILLAC