

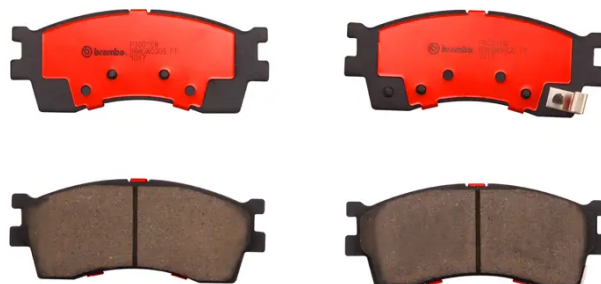


# BRAKE PAD PRIME CERAMIC P30016N

The P30016N NAO brake pad is synonymous with reliability

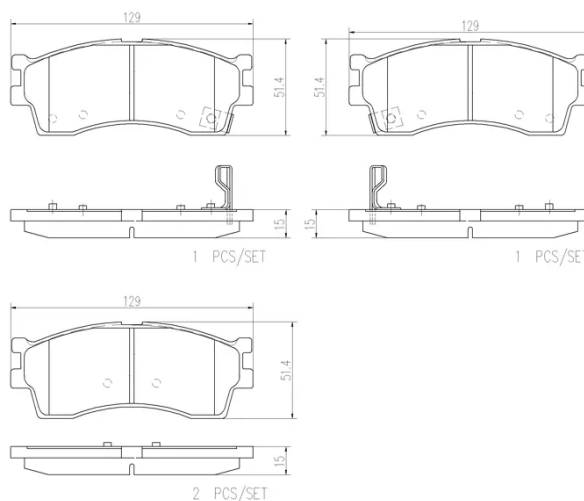
Brembo NAO brake pads stand out for their ultimate braking comfort, reduced friction wear and low dust mission, which makes for cleaner rims and reduced maintenance requirements. The advanced friction material in keeping with the strictest environmental standards is the main distinguishing feature of NAO compounds.

- ✓ OE-equivalent
- ✓ Brembo quality
- ✓ Safety
- ✓ Comfort
- ✓ Durability
- ✓ Dust reduction
- ✓ With accessories



## Technical specifications

EAN code <b>8020584097960</b>	Axle <b>Front</b>	Thickness <b>15 mm</b>
Width <b>129 mm</b>	Height <b>52 mm</b>	Braking system <b>Sumitomo</b>
Wear indicator <b>Acoustic</b>	WVA number <b>23873,23874,23875</b>	Accessories <b>With anti-squeal shim</b>



COMPATIBLE VEHICLES

## COMPATIBLE OE PART NUMBERS

0K2N13328Z	KIA
------------	-----

0K2N13328ZA	KIA
-------------	-----

0K9B63328Z	KIA
------------	-----

0K9D03328Z	KIA
------------	-----

58115FDA00	KIA
------------	-----

58115FDB00	KIA
------------	-----

58115FDC00	KIA
------------	-----

OK2N13328Z	KIA
------------	-----

S0K9D03328Z	KIA
-------------	-----