

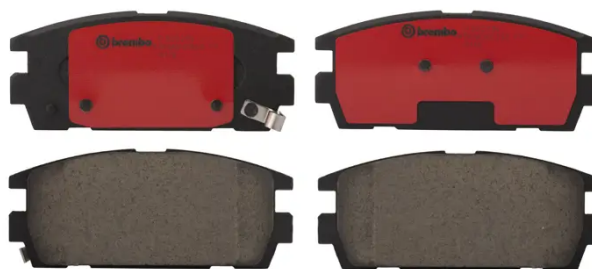


BRAKE PAD PRIME CERAMIC P30021N

The P30021N NAO brake pad is synonymous with reliability

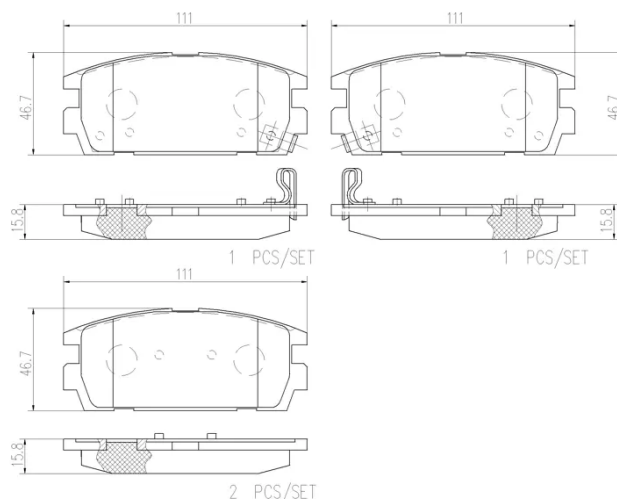
Brembo NAO brake pads stand out for their ultimate braking comfort, reduced friction wear and low dust mission, which makes for cleaner rims and reduced maintenance requirements. The advanced friction material in keeping with the strictest environmental standards is the main distinguishing feature of NAO compounds.

- ✓ OE-equivalent
- ✓ Brembo quality
- ✓ Safety
- ✓ Comfort
- ✓ Durability
- ✓ Dust reduction
- ✓ With accessories



Technical specifications

EAN code 8020584086773	Axle Rear	Thickness 16 mm
Width 111 mm	Height 47 mm	Braking system Mando
Wear indicator Acoustic	WVA number 23813,24201,24202	Accessories With anti-squeal shim



COMPATIBLE VEHICLES

COMPATIBLE OE PART NUMBERS

58302H1A00	HYUNDAI
58302H1A10	HYUNDAI