



BRAKE PAD PRIME CERAMIC P49011N

The P49011N NAO brake pad is synonymous with reliability

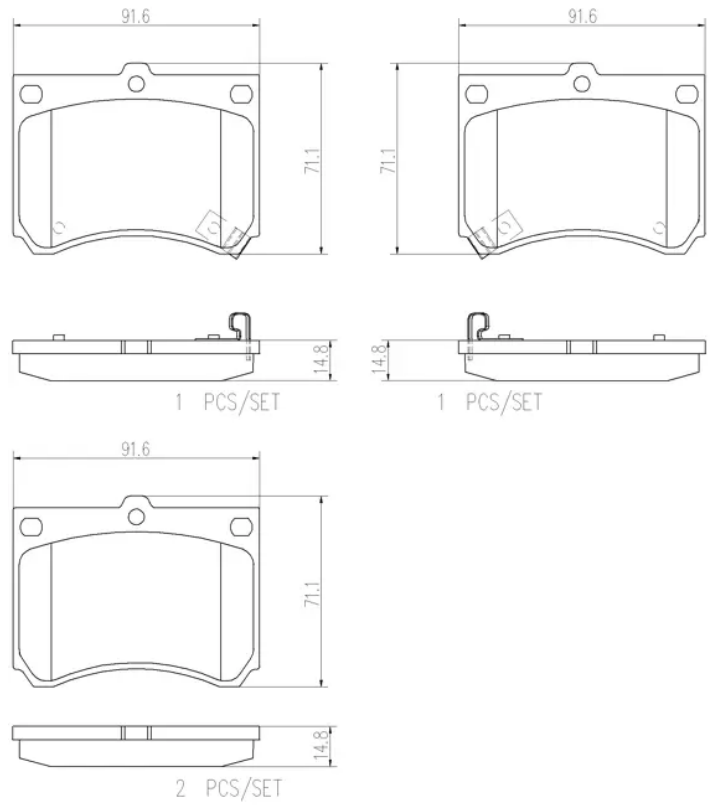
Brembo NAO brake pads stand out for their ultimate braking comfort, reduced friction wear and low dust mission, which makes for cleaner rims and reduced maintenance requirements. The advanced friction material in keeping with the strictest environmental standards is the main distinguishing feature of NAO compounds.

- ✓ OE-equivalent
- ✓ Brembo quality
- ✓ Safety
- ✓ Comfort
- ✓ Durability
- ✓ Dust reduction
- ✓ With accessories



Technical specifications

EAN code 8020584098295	Axle Front	Thickness 15 mm
Width 92 mm	Height 71 mm	Braking system Sumitomo
Wear indicator Acoustic	WVA number 21539,21540,21541	Accessories With anti-squeal shim



COMPATIBLE VEHICLES

COMPATIBLE OE PART NUMBERS

F1CZ2001B	FORD
-----------	------

F3CZ2001B	FORD
-----------	------

F4CZ2001A	FORD
-----------	------

F4CZ2001B	FORD
-----------	------

F7CZ2001BA	FORD
------------	------

X54Z2001AA	FORD
------------	------

1U023328Z	MAZDA
-----------	-------

B0YW3323Z	MAZDA
-----------	-------

B0YW3323ZA	MAZDA
------------	-------

B0YW3323ZC	MAZDA
------------	-------

B0YW3328Z	MAZDA
-----------	-------

B0YW3328ZA	MAZDA
------------	-------

B2YV3323Z	MAZDA
-----------	-------

B2YV3328Z	MAZDA
-----------	-------

BCYA3323Z	MAZDA
-----------	-------

BOYW3323Z	MAZDA
-----------	-------

BOYW3328ZA	MAZDA
------------	-------

BR4Y53329Z	MAZDA
------------	-------

BRY43323Z	MAZDA
-----------	-------

BRY43323Z9A	MAZDA
-------------	-------

BRY43328Z	MAZDA
-----------	-------

BRY43328ZA	MAZDA
------------	-------

BRY53323Z	MAZDA
-----------	-------

BRY53323ZA	MAZDA
------------	-------

BRY63323Z	MAZDA
-----------	-------

BRY63323ZA	MAZDA
------------	-------

B0YW3323ZB	MITSUBISHI
------------	------------

B4Y53329Z	MITSUBISHI
-----------	------------

BCYW3329Z	MITSUBISHI
-----------	------------

BRY43323ZA	MITSUBISHI
------------	------------

BRY53328ZA	MITSUBISHI
------------	------------