



BRAKE PAD PRIME CERAMIC P50067N

The P50067N NAO brake pad is synonymous with reliability

Brembo NAO brake pads stand out for their ultimate braking comfort, reduced friction wear and low dust mission, which makes for cleaner rims and reduced maintenance requirements. The advanced friction material in keeping with the strictest environmental standards is the main distinguishing feature of NAO compounds.

- ✓ OE-equivalent
- ✓ Brembo quality
- ✓ Safety
- ✓ Comfort
- ✓ Durability
- ✓ Dust reduction
- ✓ With accessories



Technical specifications

EAN code
8020584098530

Axle
Front

Thickness
20 mm

Width
146 mm

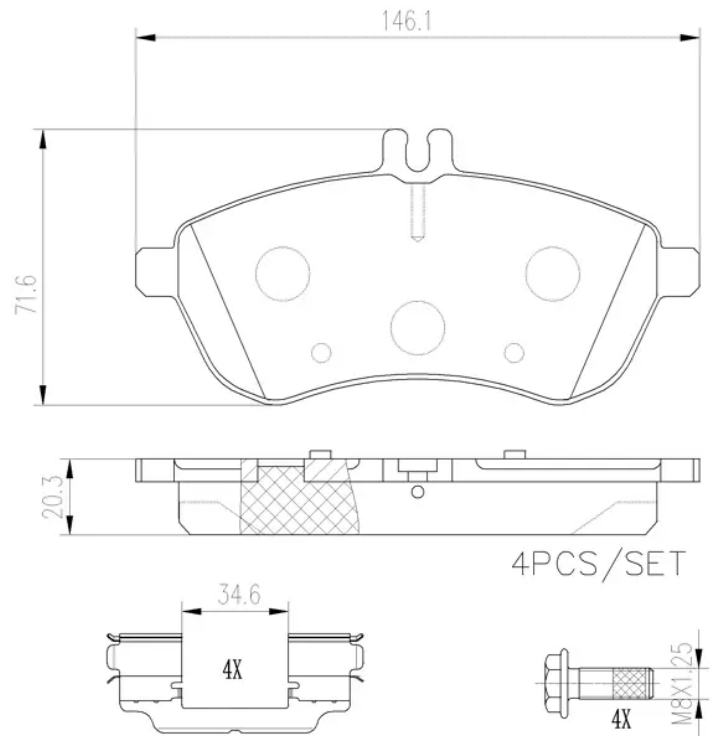
Height
72 mm

Braking system
Lucas

Wear indicator
Prepared for wear indicator

WVA number
24306

Accessories
**With accessories
With anti-squeal shim
With brake caliper bolts**



COMPATIBLE VEHICLES

COMPATIBLE OE PART NUMBERS

0004200305 MERCEDES-BENZ

000420030590 MERCEDES-BENZ

0004200905 MERCEDES-BENZ

0004201005 MERCEDES-BENZ

0054200820 MERCEDES-BENZ

0054201220 MERCEDES-BENZ

0054201520 MERCEDES-BENZ

0064207120 MERCEDES-BENZ

0074201620 MERCEDES-BENZ

0074205520 MERCEDES-BENZ

007420552095 MERCEDES-BENZ

0074205720 MERCEDES-BENZ

0074209220 MERCEDES-BENZ

0074209290 MERCEDES-BENZ

0074505720 MERCEDES-BENZ

A0004200305 MERCEDES-BENZ

A000420030590 MERCEDES-BENZ

A0004200905 MERCEDES-BENZ

A0004201005 MERCEDES-BENZ

A0054200820 MERCEDES-BENZ

A0054201220 MERCEDES-BENZ

A0054201520 MERCEDES-BENZ

A0064207120 MERCEDES-BENZ

A0074201620 MERCEDES-BENZ

A0074205520 MERCEDES-BENZ

A007420552095 MERCEDES-BENZ

A0074205720 MERCEDES-BENZ

A0074209220 MERCEDES-BENZ

A0074209290 MERCEDES-BENZ