



BRAKE PAD PRIME CERAMIC P50084N

The P50084N NAO brake pad is synonymous with reliability

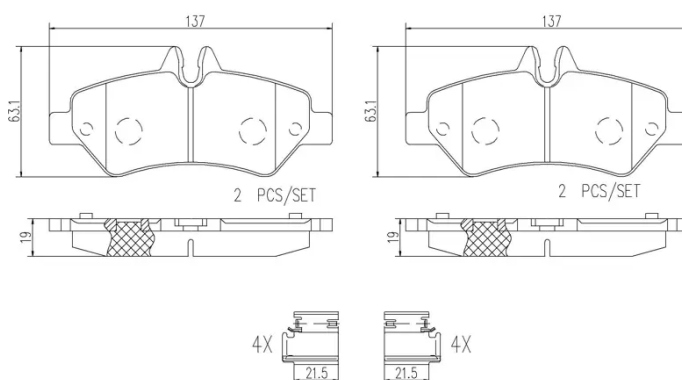
Brembo NAO brake pads stand out for their ultimate braking comfort, reduced friction wear and low dust mission, which makes for cleaner rims and reduced maintenance requirements. The advanced friction material in keeping with the strictest environmental standards is the main distinguishing feature of NAO compounds.

- ✓ OE-equivalent
- ✓ Brembo quality
- ✓ Safety
- ✓ Comfort
- ✓ Durability
- ✓ Dust reduction
- ✓ With accessories



Technical specifications

EAN code 8020584098578	Axle Rear	Thickness 19 mm
Width 137 mm	Height 63 mm	Braking system Bosch
Wear indicator Without	WVA number 29190	Accessories With anti-squeal shim



COMPATIBLE VEHICLES

COMPATIBLE OE PART NUMBERS

K04862602AA	CHRYSLER
-------------	----------

4862602AA	DODGE
-----------	-------

4862602AB	DODGE
-----------	-------

04862602AA	FREIGHTLINER
------------	--------------

0044206920	MERCEDES-BENZ
------------	---------------

0084205120	MERCEDES-BENZ
------------	---------------

9064200100	MERCEDES-BENZ
------------	---------------

9064230400	MERCEDES-BENZ
------------	---------------

A0044206920	MERCEDES-BENZ
-------------	---------------

A0084205120	MERCEDES-BENZ
-------------	---------------

A9064200100	MERCEDES-BENZ
-------------	---------------

A9064230400	MERCEDES-BENZ
-------------	---------------

2E0698451	VW
-----------	----

2E0698451H	VW
------------	----

JZW698451N	VW
------------	----