



BRAKE PAD PRIME CERAMIC P50090N

The P50090N NAO brake pad is synonymous with reliability

Brembo NAO brake pads stand out for their ultimate braking comfort, reduced friction wear and low dust mission, which makes for cleaner rims and reduced maintenance requirements. The advanced friction material in keeping with the strictest environmental standards is the main distinguishing feature of NAO compounds.

- ✓ OE-equivalent
- ✓ Brembo quality
- ✓ Safety
- ✓ Comfort
- ✓ Durability
- ✓ Dust reduction
- ✓ With accessories



Technical specifications

EAN code
8020584080832

Axle
Rear

Thickness
15 mm

Width
96 mm

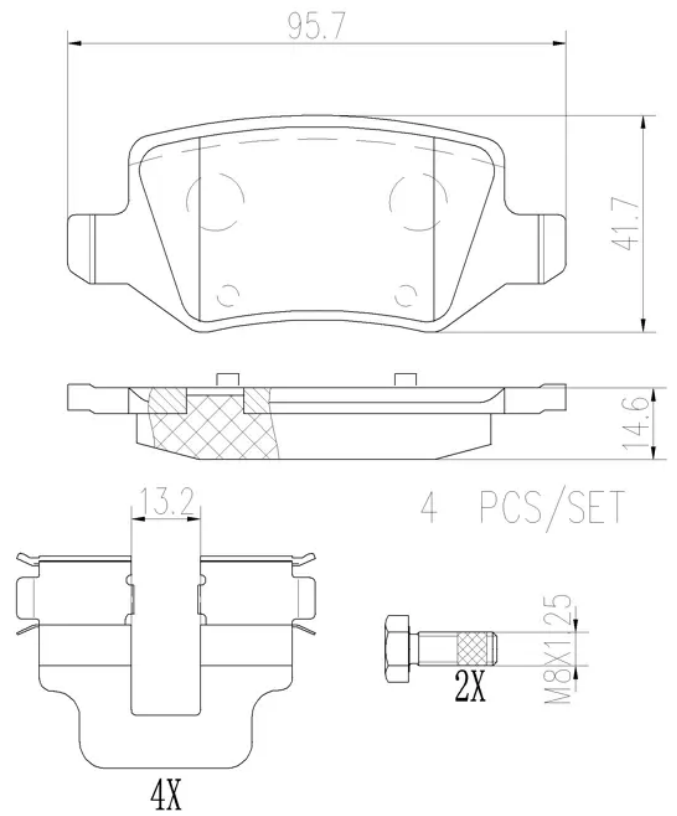
Height
42 mm

Braking system
Lucas

Wear indicator
Without

WVA number
23138

Accessories
**With accessories
With anti-squeal
shim
With brake caliper
bolts**



COMPATIBLE VEHICLES

COMPATIBLE OE PART NUMBERS

1694200420	MERCEDES-BENZ
1694201120	MERCEDES-BENZ
1694201420	MERCEDES-BENZ
1694201720	MERCEDES-BENZ
A1694200420	MERCEDES-BENZ
A1694201120	MERCEDES-BENZ
A1694201420	MERCEDES-BENZ
A1694201720	MERCEDES-BENZ