



BRAKE PAD PRIME CERAMIC P50160N

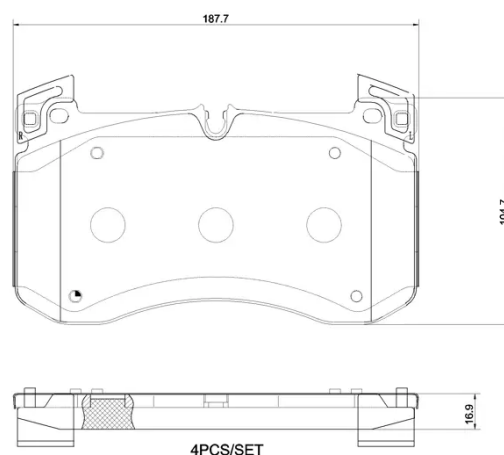
The P50160N NAO brake pad is
synonymous with reliability

Brembo NAO brake pads stand out for their ultimate braking comfort, reduced friction wear and low dust mission, which makes for cleaner rims and reduced maintenance requirements. The advanced friction material in keeping with the strictest environmental standards is the main distinguishing feature of NAO compounds.

- ✓ OE-equivalent
- ✓ Brembo quality
- ✓ Safety
- ✓ Comfort
- ✓ Durability
- ✓ Dust reduction
- ✓ With accessories

Technical specifications

EAN code	Axle	Thickness
8020584119549	Front	17 mm
Width	Height	Braking system
188 mm	105 mm	Brembo
Wear indicator	WVA number	Accessories
Prepared for wear indicator	22697	With anti-squeal shim With counterweights



COMPATIBLE VEHICLES

COMPATIBLE OE PART NUMBERS

0004201303 MERCEDES-BENZ

0004201906 MERCEDES-BENZ

0004202405 MERCEDES-BENZ

0004204105 MERCEDES-BENZ

0004204603 MERCEDES-BENZ

0004205002 MERCEDES-BENZ

0004215702 MERCEDES-BENZ

A0004201303 MERCEDES-BENZ

A0004201906 MERCEDES-BENZ

A0004202405 MERCEDES-BENZ

A0004204105 MERCEDES-BENZ

A0004204603 MERCEDES-BENZ

A0004205002 MERCEDES-BENZ

A0004215702 MERCEDES-BENZ
