



BRAKE PAD PRIME CERAMIC P56047N

The P56047N NAO brake pad is synonymous with reliability

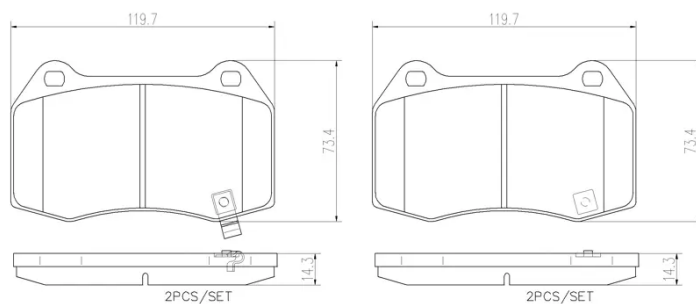
Brembo NAO brake pads stand out for their ultimate braking comfort, reduced friction wear and low dust mission, which makes for cleaner rims and reduced maintenance requirements. The advanced friction material in keeping with the strictest environmental standards is the main distinguishing feature of NAO compounds.

- ✓ OE-equivalent
- ✓ Brembo quality
- ✓ Safety
- ✓ Comfort
- ✓ Durability
- ✓ Dust reduction
- ✓ With accessories



Technical specifications

EAN code 8020584098868	Axle Front	Thickness 14 mm
Width 120 mm	Height 73 mm	Braking system Brembo
Wear indicator Acoustic	WVA number 23142,23143	Accessories With anti-squeal shim



COMPATIBLE VEHICLES

COMPATIBLE OE PART NUMBERS

45022S6MJ52 HONDA

41060CD028 NISSAN

41060CD094 NISSAN

D1060CD00C NISSAN

D106MCD00J NISSAN

D10F0CD00C NISSAN

D10F0CD026 NISSAN

D10F0CD028 NISSAN

D10FOCD00C NISSAN

D1MFM12U87 NISSAN

D1MFMCD00J NISSAN
