



BRAKE PAD PRIME CERAMIC P65042N

The P65042N NAO brake pad is synonymous with reliability

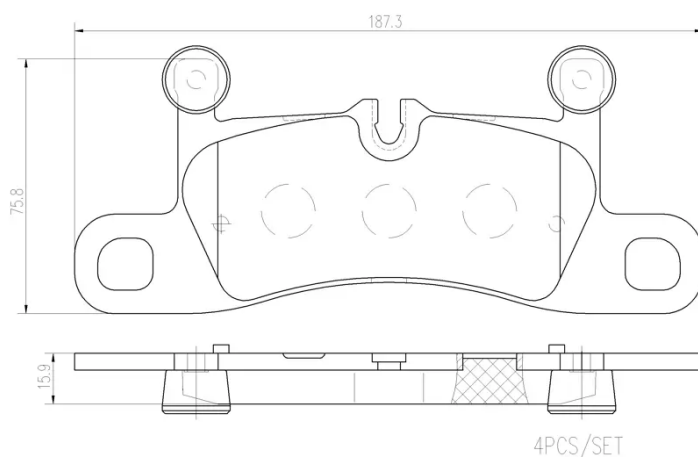
Brembo NAO brake pads stand out for their ultimate braking comfort, reduced friction wear and low dust mission, which makes for cleaner rims and reduced maintenance requirements. The advanced friction material in keeping with the strictest environmental standards is the main distinguishing feature of NAO compounds.

- ✓ OE-equivalent
- ✓ Brembo quality
- ✓ Safety
- ✓ Comfort
- ✓ Durability
- ✓ Dust reduction
- ✓ With accessories



Technical specifications

EAN code	Axle	Thickness
8020584115428	Rear	16 mm
Width	Height	Braking system
187 mm	76 mm	Brembo
Wear indicator	WVA number	Accessories
Prepared for wear indicator	25143	With anti-squeal shim With counterweights



COMPATIBLE VEHICLES

COMPATIBLE OE PART NUMBERS

99135293902	PORSCHE
-------------	---------

99135293904	PORSCHE
-------------	---------

9Y0698451AD	PORSCHE
-------------	---------

9Y0698451AE	PORSCHE
-------------	---------

9Y0698451AF	PORSCHE
-------------	---------

9Y0698451B	PORSCHE
------------	---------

9Y0698451J	PORSCHE
------------	---------