



BRAKE PAD PRIME CERAMIC P83056N

The P83056N NAO brake pad is
synonymous with reliability

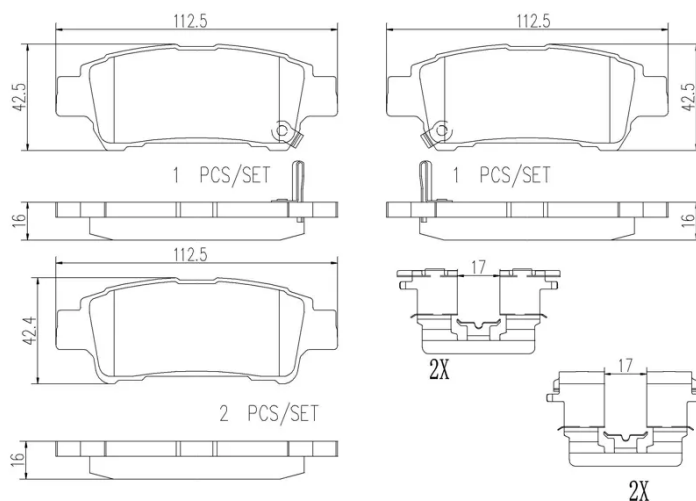
Brembo NAO brake pads stand out for their ultimate braking comfort, reduced friction wear and low dust mission, which makes for cleaner rims and reduced maintenance requirements. The advanced friction material in keeping with the strictest environmental standards is the main distinguishing feature of NAO compounds.

- ✓ OE-equivalent
- ✓ Brembo quality
- ✓ Safety
- ✓ Comfort
- ✓ Durability
- ✓ Dust reduction
- ✓ With accessories



Technical specifications

EAN code 8020584099643	Axle Rear	Thickness 16 mm
Width 113 mm	Height 43 mm	Braking system Sumitomo
Wear indicator Acoustic	WVA number 23646,23647,23648	Accessories With anti-squeal shim



COMPATIBLE VEHICLES

COMPATIBLE OE PART NUMBERS

0446028040 TOYOTA

0446628030 TOYOTA

0446628040 TOYOTA

0446628050 TOYOTA

0446628070 TOYOTA

0446628080 TOYOTA

0446644010 TOYOTA

0446645010 TOYOTA

04466D8000 TOYOTA

04466YZZE1 TOYOTA
