

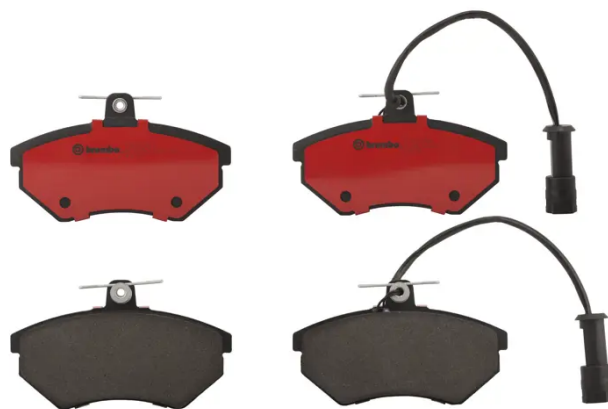


BRAKE PAD PRIME CERAMIC P85016N

The P85016N NAO brake pad is synonymous with reliability

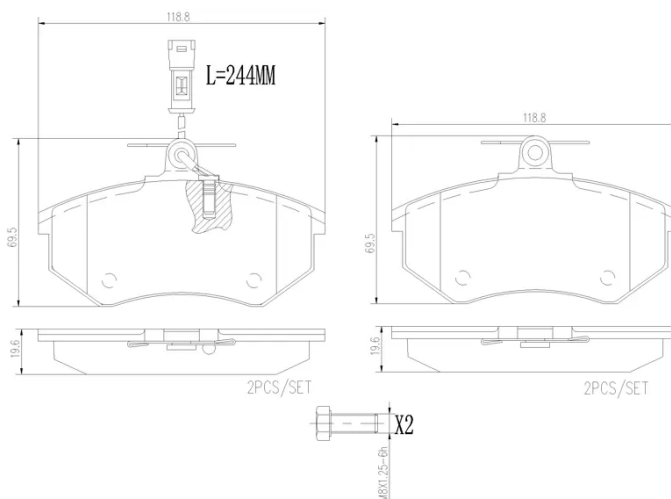
Brembo NAO brake pads stand out for their ultimate braking comfort, reduced friction wear and low dust mission, which makes for cleaner rims and reduced maintenance requirements. The advanced friction material in keeping with the strictest environmental standards is the main distinguishing feature of NAO compounds.

- ✓ OE-equivalent
- ✓ Brembo quality
- ✓ Safety
- ✓ Comfort
- ✓ Durability
- ✓ Dust reduction
- ✓ With accessories



Technical specifications

EAN code 8020584100004	Axle Front	Thickness 20 mm
Width 119 mm	Height 70 mm	Braking system TRW
Wear indicator Electric	WVA number 20669,20901	Accessories With accessories With anti-squeal shim With brake caliper bolts



COMPATIBLE OE PART NUMBERS

437698151	AUDI
443398151F	AUDI
443698151C	AUDI
443698151D	AUDI
443698151E	AUDI
443698151F	AUDI
443698151G	AUDI
443698151H	AUDI
8A0698151	AUDI
A21BJ3501080	CHERY
A21BJ3501080AC	CHERY
437698151	SEAT
443398151F	SEAT
443698151C	SEAT
443698151D	SEAT
443698151E	SEAT
443698151F	SEAT
443698151G	SEAT
443698151H	SEAT
8A0698151	SEAT
437698151	SKODA
443398151F	SKODA
443698151C	SKODA
443698151D	SKODA
443698151E	SKODA
443698151F	SKODA
443698151G	SKODA
443698151H	SKODA
8A0698151	SKODA
437698151	VW
443398151F	VW
443698151C	VW
443698151D	VW
443698151E	VW
443698151F	VW
443698151G	VW
443698151H	VW
8A0698151	VW
230400009	ZHONGHUA (BRILLIANCE)
SHZ3501031	ZHONGHUA (BRILLIANCE)