



# BRAKE PAD PRIME CERAMIC P86019N

The P86019N NAO brake pad is synonymous with reliability

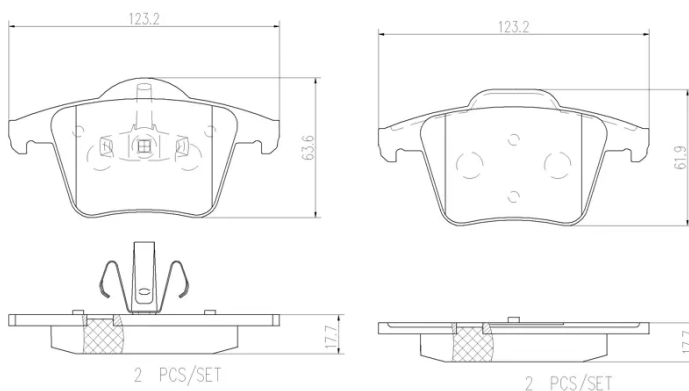
Brembo NAO brake pads stand out for their ultimate braking comfort, reduced friction wear and low dust mission, which makes for cleaner rims and reduced maintenance requirements. The advanced friction material in keeping with the strictest environmental standards is the main distinguishing feature of NAO compounds.

- ✓ OE-equivalent
- ✓ Brembo quality
- ✓ Safety
- ✓ Comfort
- ✓ Durability
- ✓ Dust reduction
- ✓ With accessories



## Technical specifications

EAN code <b>8020584100219</b>	Axle <b>Rear</b>	Thickness <b>18 mm</b>
Width <b>123 mm</b>	Height <b>62 mm</b>	Braking system <b>Teves</b>
Wear indicator <b>Without</b>	WVA number <b>24011,24012</b>	Accessories <b>With accessories</b> <b>With anti-squeal shim</b> <b>With piston clip</b>



COMPATIBLE VEHICLES

## COMPATIBLE OE PART NUMBERS

274330	VOLVO
--------	-------

2743300	VOLVO
---------	-------

274512	VOLVO
--------	-------

274528	VOLVO
--------	-------

2745280	VOLVO
---------	-------

30793093	VOLVO
----------	-------

307930930	VOLVO
-----------	-------