



BRAKE PAD

P 23 022

The P 23 022 brake pad is synonymous with reliability

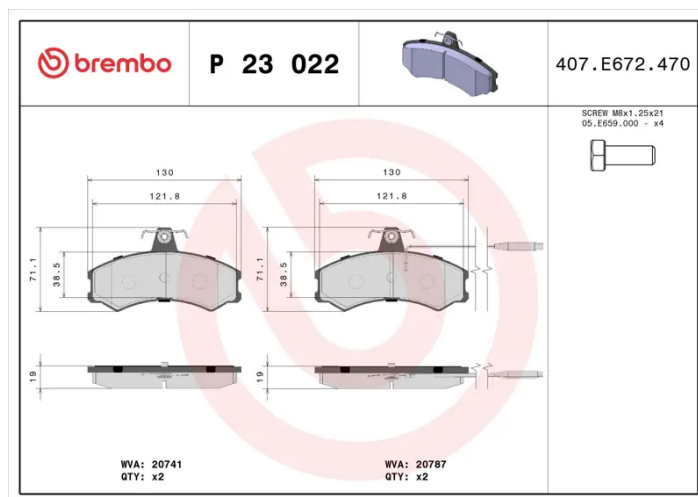
The Brembo brake pad guarantees ultimate safety when braking thanks to the use of more than 100 different compounds, designed according to the type of vehicle and use. Stopping distances reduced to a minimum, maximum driving comfort and silent operation are the most important features of Brembo materials. Brembo brake pads are supplied together with an extensive range of accessories and assembly kits for professional-standard installation.

- ✓ OE-equivalent
- ✓ Brembo quality
- ✓ ECE-R90 certificate
- ✓ Safety
- ✓ Performance
- ✓ Comfort
- ✓ With accessories



Technical specifications

EAN code 8020584050927	Axle Front	Thickness 19 mm
Width 130 mm	Height 71 mm	Braking system Lucas
Wear indicator Electric	WVA number 20741,20787	Accessories With accessories With anti-squeal shim With brake caliper bolts



COMPATIBLE OE PART NUMBERS

9938205 ALFA ROMEO

1611458680 CITROËN

424833 CITROËN

425028 CITROËN

425054 CITROËN

425106 CITROËN

4254A4 CITROËN

95615159 CITROËN

95624970 CITROËN

95667764 CITROËN

E172164 CITROËN

E172571 CITROËN

ZF09937786 CITROËN

ZF09938205 CITROËN

71770950 FIAT

9939028 FIAT

9940092 FIAT

9940566 FIAT

9940999 FIAT

9941207 FIAT

9941208 FIAT

9944861 FIAT

9945070 FIAT

9945076 FIAT

994999 FIAT

1611458680 PEUGEOT

424833 PEUGEOT

425028 PEUGEOT

425054 PEUGEOT

425106 PEUGEOT

95615159 PEUGEOT

95624970 PEUGEOT

95667764 PEUGEOT

E172164 PEUGEOT

E172571 PEUGEOT

ZF09937786 PEUGEOT

ZF09938205 PEUGEOT