



BRAKE PAD

P 23 066

The P 23 066 brake pad is synonymous with reliability



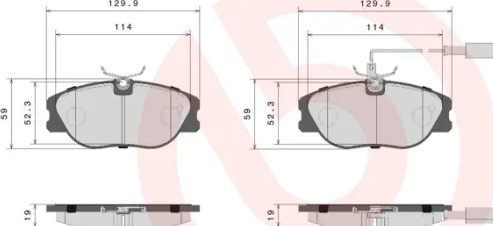
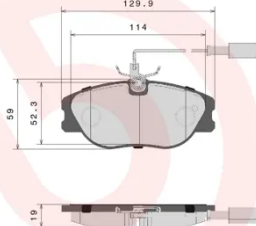
The Brembo brake pad guarantees ultimate safety when braking thanks to the use of more than 100 different compounds, designed according to the type of vehicle and use. Stopping distances reduced to a minimum, maximum driving comfort and silent operation are the most important features of Brembo materials. Brembo brake pads are supplied together with an extensive range of accessories and assembly kits for professional-standard installation.

- ✓ OE-equivalent
- ✓ Brembo quality
- ✓ ECE-R90 certificate
- ✓ Safety
- ✓ Performance
- ✓ Comfort
- ✓ With accessories



Technical specifications

EAN code 8020584051368	Axle Front	Thickness 19 mm
Width 130 mm	Height 59 mm	Braking system Lucas
Wear indicator Electric	WVA number 21147,23168	Accessories With accessories With anti-squeal shim With brake caliper bolts

	P 23 066		407.E672.455
			
<small>WVA: 21147 QTY: x2</small>		<small>WVA: 23168 QTY: x2</small>	
<small>DATE : 06/07/2023 VERSION : 00</small>			

COMPATIBLE OE PART NUMBERS

71748391 ALFA ROMEO

77362344 ALFA ROMEO

9941872 ALFA ROMEO

9944329 ALFA ROMEO

9944678 ALFA ROMEO

9946227 ALFA ROMEO

9946750 ALFA ROMEO

9950550 ALFA ROMEO

71748387 FIAT

71770975 FIAT

71748387 LANCIA

9940619 LANCIA

9941174 LANCIA
