



BRAKE PAD XTRA P 28 076X

The P 28 076X Xtra brake pad is synonymous with reliability

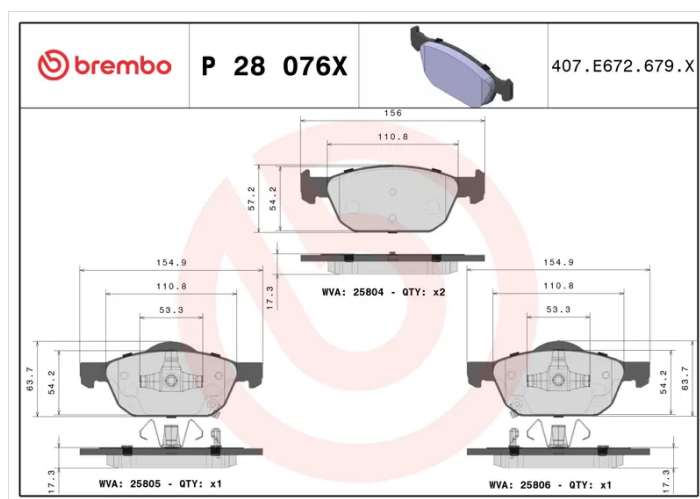
Brembo Xtra brake pads, developed to enhance the advantages of the Xtra and Max discs, are made using the special BRM X L01 compound which consists of more than 30 different components. Compared with the compound used for original-equivalent pads, the new solution assures a higher friction coefficient, which translates to more precise and stable braking, at both high and low temperatures. All this makes for greater driving comfort and improved pedal modularity, without compromising the product's mileage output.



- ✓ OE-equivalent
- ✓ Brembo quality
- ✓ ECE-R90 certificate
- ✓ Safety
- ✓ Performance
- ✓ Sports driving

Technical specifications

EAN code 8020584121580	Axle Front	Thickness 17 mm
Width 156 mm	Height 57 mm	Braking system Teves
Wear indicator Acoustic	WVA number 25804,25805,25806	Accessories With anti-squeal shim



COMPATIBLE VEHICLES

COMPATIBLE OE PART NUMBERS

45022TGNG00	HONDA
-------------	-------

45022TV0E00	HONDA
-------------	-------

45022TV0E01	HONDA
-------------	-------

45022TV0E02	HONDA
-------------	-------

45022TV2E00	HONDA
-------------	-------

45022TV2E01	HONDA
-------------	-------

45022TV2E02	HONDA
-------------	-------