



BRAKE PAD

P 50 024

The P 50 024 brake pad is synonymous with reliability

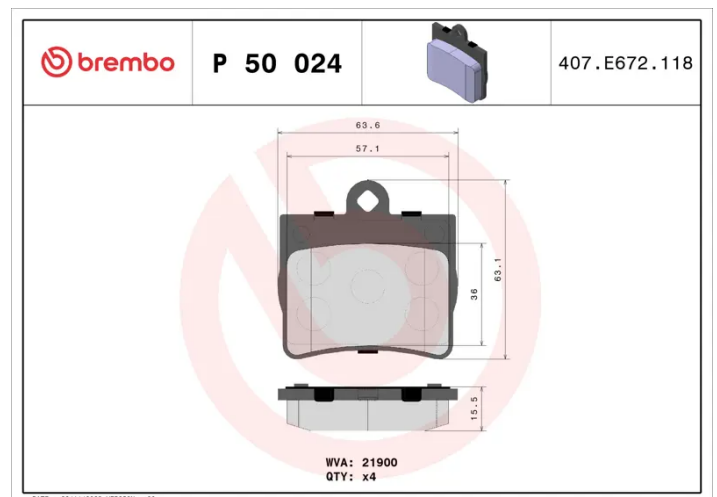
The Brembo brake pad guarantees ultimate safety when braking thanks to the use of more than 100 different compounds, designed according to the type of vehicle and use. Stopping distances reduced to a minimum, maximum driving comfort and silent operation are the most important features of Brembo materials. Brembo brake pads are supplied together with an extensive range of accessories and assembly kits for professional-standard installation.

- ✓ OE-equivalent
- ✓ Brembo quality
- ✓ ECE-R90 certificate
- ✓ Safety
- ✓ Performance
- ✓ Comfort



Technical specifications

EAN code 8020584053966	Axle Rear	Thickness 16 mm
Width 64 mm	Height 63 mm	Braking system Teves
Wear indicator Without	WVA number 21900	Accessories With anti-squeal shim



COMPATIBLE VEHICLES

COMPATIBLE OE PART NUMBERS

0024205120	MERCEDES-BENZ
------------	---------------

002420512037	MERCEDES-BENZ
--------------	---------------

0054201820	MERCEDES-BENZ
------------	---------------

005420182041	MERCEDES-BENZ
--------------	---------------

005420182064	MERCEDES-BENZ
--------------	---------------

A0024205120	MERCEDES-BENZ
-------------	---------------

A002420512037	MERCEDES-BENZ
---------------	---------------

A0054201820	MERCEDES-BENZ
-------------	---------------

A005420182041	MERCEDES-BENZ
---------------	---------------