



BRAKE PAD

P 50 154

The P 50 154 brake pad is synonymous with reliability

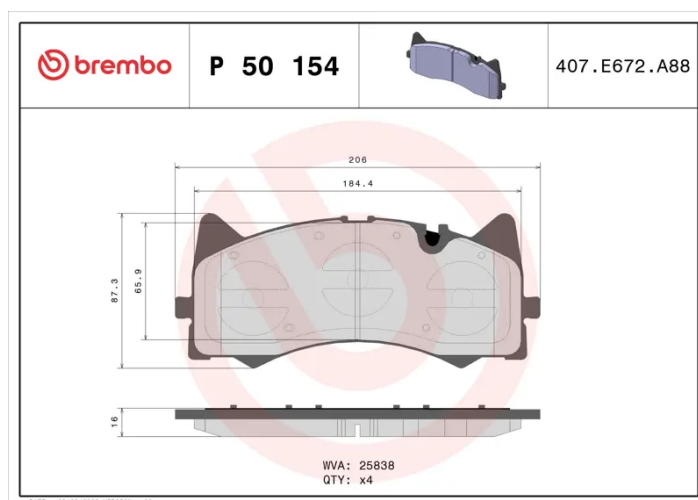
The Brembo brake pad guarantees ultimate safety when braking thanks to the use of more than 100 different compounds, designed according to the type of vehicle and use. Stopping distances reduced to a minimum, maximum driving comfort and silent operation are the most important features of Brembo materials. Brembo brake pads are supplied together with an extensive range of accessories and assembly kits for professional-standard installation.

- ✓ OE-equivalent
- ✓ Brembo quality
- ✓ ECE-R90 certificate
- ✓ Safety
- ✓ Performance
- ✓ Comfort



Technical specifications

EAN code 8020584116579	Axle Front	Thickness 16 mm
Width 206 mm	Height 87 mm	Braking system Akebono
Wear indicator Without	WVA number 25838	Accessories With anti-squeal shim



COMPATIBLE VEHICLES

COMPATIBLE OE PART NUMBERS

0004204700	MERCEDES-BENZ
------------	---------------

0004205004	MERCEDES-BENZ
------------	---------------

0004209400	MERCEDES-BENZ
------------	---------------

A0004204700	MERCEDES-BENZ
-------------	---------------

A0004205004	MERCEDES-BENZ
-------------	---------------

A0004209400	MERCEDES-BENZ
-------------	---------------
