



BRAKE PAD

P 65 001

The P 65 001 brake pad is synonymous with reliability

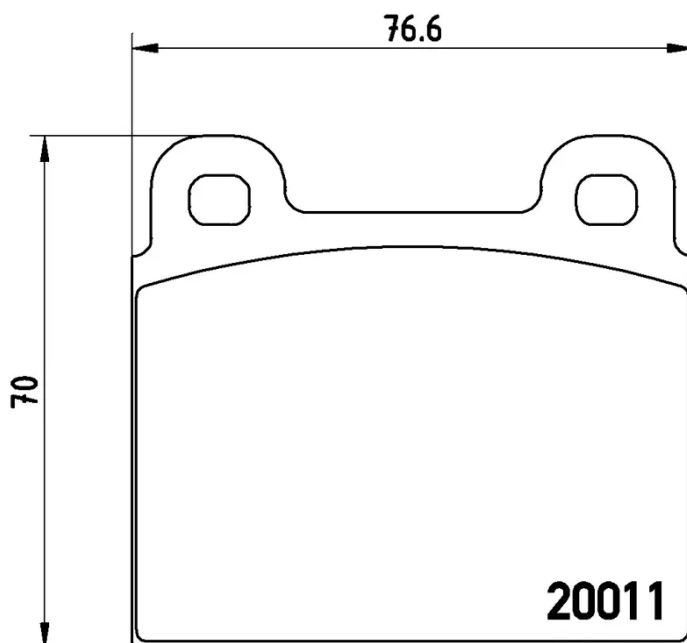
The Brembo brake pad guarantees ultimate safety when braking thanks to the use of more than 100 different compounds, designed according to the type of vehicle and use. Stopping distances reduced to a minimum, maximum driving comfort and silent operation are the most important features of Brembo materials. Brembo brake pads are supplied together with an extensive range of accessories and assembly kits for professional-standard installation.

- ✓ OE-equivalent
- ✓ Brembo quality
- ✓ ECE-R90 certificate
- ✓ Safety
- ✓ Performance
- ✓ Comfort



Technical specifications

EAN code	Axle	Thickness
8020584056561	Front	15 mm
Width	Height	Braking system
77 mm	70 mm	Teves
Wear indicator	WVA number	Accessories
Prepared for wear indicator	20011	With anti-squeal shim



COMPATIBLE VEHICLES

COMPATIBLE OE PART NUMBERS

90135199700	PORSCHE
-------------	---------

91135193800	PORSCHE
-------------	---------

91135194401	PORSCHE
-------------	---------

91135194405	PORSCHE
-------------	---------

91135194901	PORSCHE
-------------	---------

91135195000	PORSCHE
-------------	---------

91135195001	PORSCHE
-------------	---------

91135195002	PORSCHE
-------------	---------

91135195006	PORSCHE
-------------	---------

91135195008	PORSCHE
-------------	---------

91135195011	PORSCHE
-------------	---------

92335190100	PORSCHE
-------------	---------

94435195006	PORSCHE
-------------	---------