



# BRAKE PAD

## P 79 032

The P 79 032 brake pad is synonymous with reliability



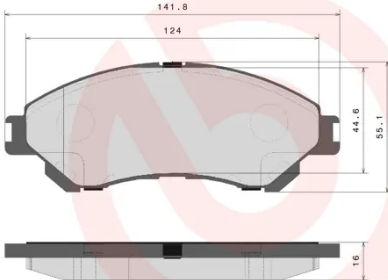

The Brembo brake pad guarantees ultimate safety when braking thanks to the use of more than 100 different compounds, designed according to the type of vehicle and use. Stopping distances reduced to a minimum, maximum driving comfort and silent operation are the most important features of Brembo materials. Brembo brake pads are supplied together with an extensive range of accessories and assembly kits for professional-standard installation.

- ✓ OE-equivalent
- ✓ Brembo quality
- ✓ ECE-R90 certificate
- ✓ Safety
- ✓ Performance
- ✓ Comfort



### Technical specifications

EAN code <b>8020584080962</b>	Axle <b>Front</b>	Thickness <b>16 mm</b>
Width <b>142 mm</b>	Height <b>55 mm</b>	Braking system <b>Sumitomo</b>
Wear indicator <b>Acoustic</b>	WVA number <b>25979</b>	Accessories <b>With anti-squeal shim</b>

	<b>P 79 032</b>		<b>407.E672.239</b>
			ACOUSTIC WEAR INDICATOR 07.E654.033 - x2 
<b>WVA: 25979</b> <b>QTY: x4</b>			
<small>DATE : 19/02/2024 VERSION : 00</small>			

COMPATIBLE VEHICLES

## COMPATIBLE OE PART NUMBERS

4605B949	mitsubishi
410606A00H	NISSAN
5581061M00	SUZUKI
5581061M00000	SUZUKI
5581061M01	SUZUKI
5581061M01000	SUZUKI
5581061M02	SUZUKI
5581061M02000	SUZUKI
5581061M50	SUZUKI
5581061M50000	SUZUKI
5581061M51	SUZUKI
5581061M51000	SUZUKI
5581061M52	SUZUKI
5581061M52000	SUZUKI
5581061M53	SUZUKI
5581061M53000	SUZUKI
55200D66Y00C000	SUZUKI (CHANGAN)