



BRAKE DISC MAX

09.4765.75

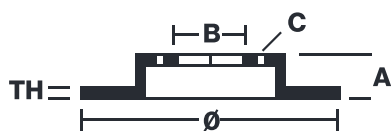
The 09.4765.75 Max brake disc is synonymous with reliability

The Brembo Max brake disc features grooves on the braking surface. The special shape of the grooves generates greater fading resistance and constant renewal of friction material, quickly restoring optimum braking conditions. The UV paint completes the sporty look.

- ✓ Brembo quality
- ✓ ECE-R90 certificate
- ✓ Performance
- ✓ Sports driving
- ✓ Sporty look
- ✓ Anti-corrosion
- ✓ Fastening screws



Technical specifications



EAN code
8020584011287

Axle
Front

Diameter Ø
239 mm

Thickness (TH)
20 mm

Height (A)
39 mm

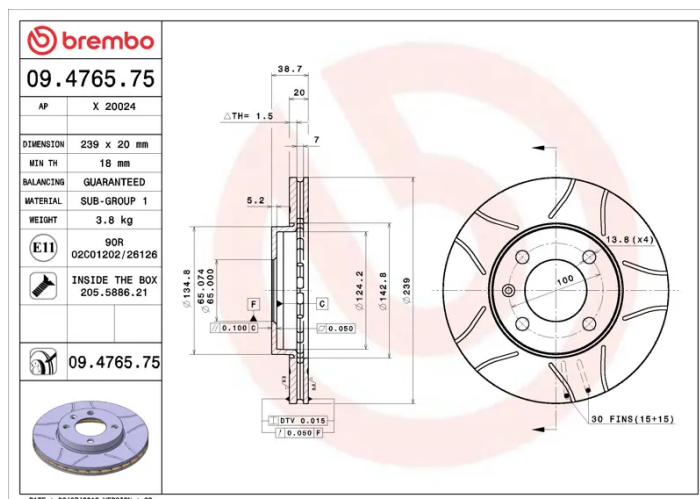
Number of holes (C)
4

Brake disc type
Ventilated

Centering (B)
65 mm

Min. thickness
18 mm

Tightening torque
120 Nm



COMPATIBLE VEHICLES

COMPATIBLE OE PART NUMBERS

321615301A	AUDI
------------	------

321615301B	AUDI
------------	------

321615301C	AUDI
------------	------

6N0615301G	AUDI
------------	------

841615301	AUDI
-----------	------

321615301C	SEAT
------------	------

6N0615301G	SEAT
------------	------

321615301A	VW
------------	----

321615301B	VW
------------	----

321615301C	VW
------------	----

3256152891	VW
------------	----

5W0615301	VW
-----------	----

6N0615301G	VW
------------	----

841615301	VW
-----------	----

JZW615301K	VW
------------	----

3256152891	VW (SVW)
------------	----------

5W0615301	VW (SVW)
-----------	----------