



# BRAKE DISC MAX

## 09.6727.77

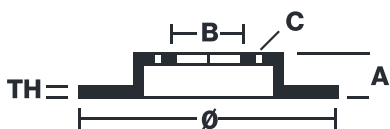
The 09.6727.77 Max brake disc is synonymous with reliability

The Brembo Max brake disc features grooves on the braking surface. The special shape of the grooves generates greater fading resistance and constant renewal of friction material, quickly restoring optimum braking conditions. The UV paint completes the sporty look.

- ✓ Brembo quality
- ✓ ECE-R90 certificate
- ✓ Performance
- ✓ Sports driving
- ✓ Sporty look
- ✓ Anti-corrosion



### Technical specifications



EAN code  
**8020584011416**

Axle  
**Front**

Diameter Ø  
**240 mm**

Thickness (TH)  
**20 mm**

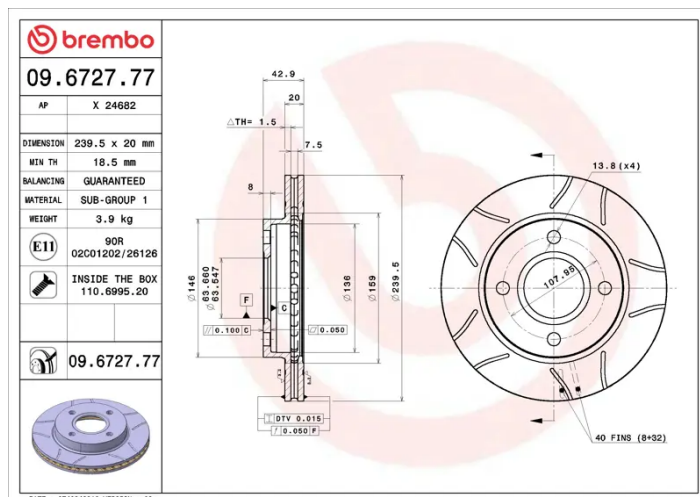
Height (A)  
**43 mm**

Number of holes (C)  
**4**

Brake disc type  
**Ventilated**

Centering (B)  
**64 mm**

Min. thickness  
**18 mm**



COMPATIBLE VEHICLES

## COMPATIBLE OE PART NUMBERS

602550	CARBODIES
1018277	FORD
1019604	FORD
1066271	FORD
1107768	FORD
1320581	FORD
1320582	FORD
1373289	FORD
1473005	FORD
1524589	FORD
4071714	FORD
4084226	FORD
5022654	FORD
5028281	FORD
6191064	FORD
89FX1125CE	FORD
93FX1125AA	FORD
93FX1125S1A	FORD
93FX1125SA	FORD
96FX1125CA	FORD
YS6J1125CB	FORD
YS6J1125CC	FORD
YS6W1125AA	FORD
YS6W1125AC	FORD
YS6W1125B1B	FORD
YS6W1125CA	FORD
YS6W1125CB	FORD
3N211125AA	FORD (CHANGAN)
602550	LTI
1E0533251	MAZDA
1E0633251	MAZDA
1E0833251	MAZDA
1E0933251	MAZDA