



BRAKE DISC XTRA

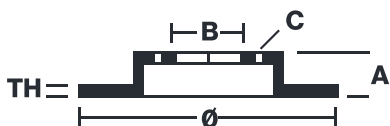
09.D058.1X

The 09.D058.1X Xtra brake disc is synonymous with reliability

The Brembo Xtra brake disc features holes on the braking surface. The holes are designed to improve the cooling of the braking system, to generate greater fading resistance and grip in the initial stages of braking. The sports look is also enhanced by the presence of the UV paint.

- ✓ Brembo quality
- ✓ ECE-R90 certificate
- ✓ Performance
- ✓ Sports driving
- ✓ Sporty look
- ✓ High carbon
- ✓ Anti-corrosion
- ✓ Fastening screws

Technical specifications



EAN code
8020584343210

Axle
Front

Diameter Ø
318 mm

Thickness (TH)
30 mm

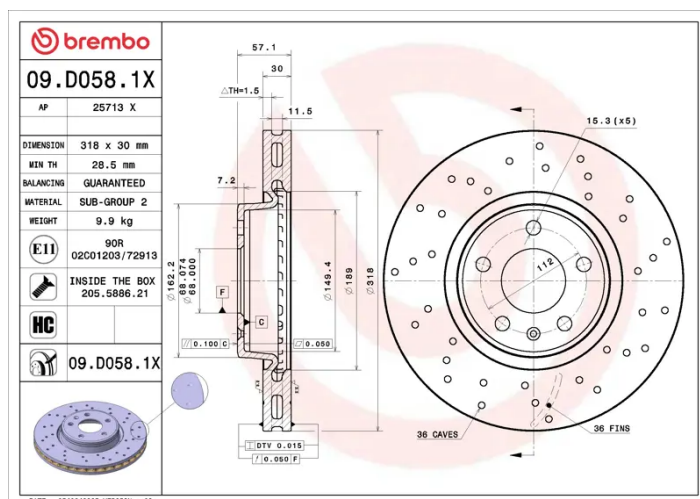
Height (A)
57,1 mm

Number of holes (C)
5

Brake disc type
Ventilated

Centering (B)
68 mm

Min. thickness
28,5 mm



COMPATIBLE OE PART NUMBERS

80A615301	AUDI
-----------	------

80A615301E	AUDI
------------	------

8W0615301AA	AUDI
-------------	------

8W0615301H	AUDI
------------	------

4KD615301	AUDI (FAW)
-----------	------------

L4KD615301	AUDI (FAW)
------------	------------

4KG615301	AUDI (SAIC)
-----------	-------------