



# BRAKE DISC PAINTED

## 09.N236.21

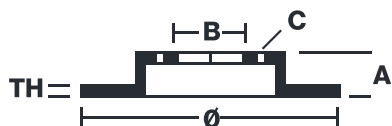
The 09.N236.21 painted brake disc is synonymous with reliability

The Brembo brake disc with special UV paint treatment guarantees superior corrosion resistance for the product, thanks to the protective coating on the outer edges and on the disc hub. The UV paint not only gives the disc a clean, shiny appearance but is also beneficial for the environment as the water-based UV paint treatment does not require the use of chemical solvents and is a low energy consumption process.

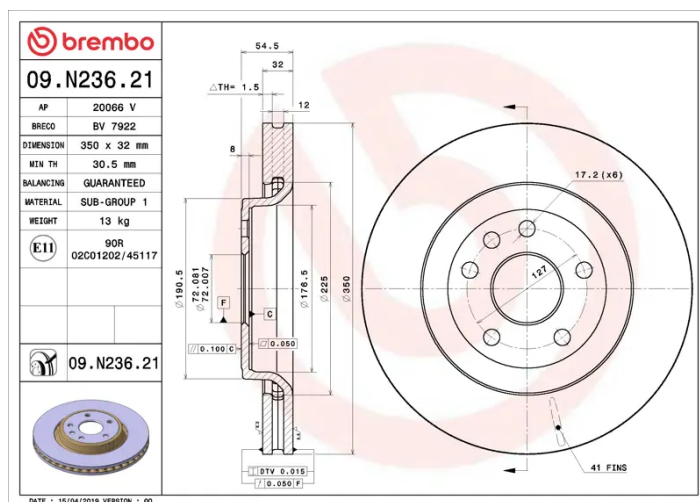
- ✓ OE-equivalent
- ✓ Brembo quality
- ✓ ECE-R90 certificate
- ✓ Safety
- ✓ Anti-corrosion



### Technical specifications



EAN code <b>8020584238967</b>	Axle <b>Front</b>	Diameter Ø <b>350 mm</b>
Thickness (TH) <b>32 mm</b>	Height (A) <b>55 mm</b>	Number of holes (C) <b>6</b>
Brake disc type <b>Ventilated</b>	Centering (B) <b>72 mm</b>	Min. thickness <b>30,5 mm</b>



**COMPATIBLE VEHICLES**

## COMPATIBLE OE PART NUMBERS

00K68240048AA CHRYSLER

---

2AMV5012AD DODGE

---

68035012AB DODGE

---

00K04755569AA JEEP

---

00K68035012AE JEEP

---

00K68240046AA JEEP

---

2AMV5012AD JEEP

---

4755569AA JEEP

---

68035012AB JEEP

---

68035012AC JEEP

---

68035012AD JEEP

---

68035012AE JEEP

---

68240046AA JEEP

---