



BRAKE PAD PRIME CERAMIC P10034N

The P10034N NAO brake pad is synonymous with reliability

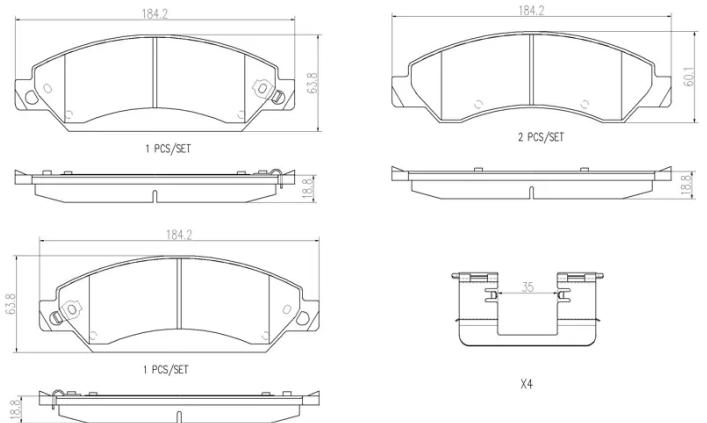
Brembo NAO brake pads stand out for their ultimate braking comfort, reduced friction wear and low dust mission, which makes for cleaner rims and reduced maintenance requirements. The advanced friction material in keeping with the strictest environmental standards is the main distinguishing feature of NAO compounds.

- ✓ OE-equivalent
- ✓ Brembo quality
- ✓ Safety
- ✓ Comfort
- ✓ Durability
- ✓ Dust reduction
- ✓ With accessories



Technical specifications

EAN code 8020584096253	Axle Front	Thickness 19 mm
Width 184 mm	Height 60 mm	
Wear indicator Acoustic	Accessories With anti-squeal shim	



COMPATIBLE VEHICLES

COMPATIBLE OE PART NUMBERS

19369415	CADILLAC
----------	----------

89059119	CADILLAC
----------	----------

15863489	CHEVROLET
----------	-----------

89059119	CHEVROLET
----------	-----------

25852957	GMC
----------	-----

89059119	GMC
----------	-----