



BRAKE PAD PRIME CERAMIC P24033N

The P24033N NAO brake pad is synonymous with reliability

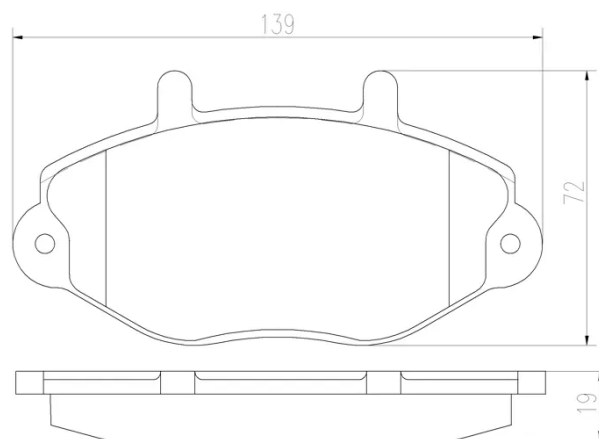
Brembo NAO brake pads stand out for their ultimate braking comfort, reduced friction wear and low dust mission, which makes for cleaner rims and reduced maintenance requirements. The advanced friction material in keeping with the strictest environmental standards is the main distinguishing feature of NAO compounds.

- ✓ OE-equivalent
- ✓ Brembo quality
- ✓ Safety
- ✓ Comfort
- ✓ Durability
- ✓ Dust reduction
- ✓ With accessories



Technical specifications

EAN code	Axle	Thickness
8020584088388	Front	19 mm
Width	Height	Braking system
139 mm	72 mm	Bendix
Wear indicator	WVA number	Accessories
Without	21469	With anti-squeal shim



4 PCS/SET

COMPATIBLE VEHICLES

COMPATIBLE OE PART NUMBERS

5028764	FORD
6197739	FORD
6965580	FORD
7018203	FORD
92VB2K021BA	FORD
92VB2K021BB	FORD
92VB2K021BC	FORD
93VX2K021BA	FORD
CC93VX2K021AA	FORD (JMC)