



BRAKE PAD PRIME CERAMIC P24039N

The P24039N NAO brake pad is
synonymous with reliability



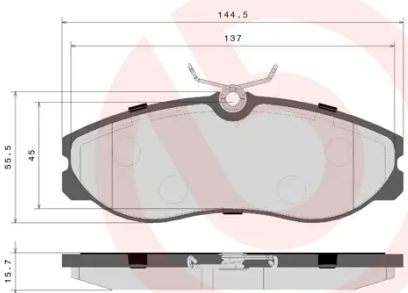

Brembo NAO brake pads stand out for their ultimate braking comfort, reduced friction wear and low dust mission, which makes for cleaner rims and reduced maintenance requirements. The advanced friction material in keeping with the strictest environmental standards is the main distinguishing feature of NAO compounds.

- ✓ OE-equivalent
- ✓ Brembo quality
- ✓ Safety
- ✓ Comfort
- ✓ Durability
- ✓ Dust reduction
- ✓ With accessories



Technical specifications

EAN code 8020584088395	Axle Front	Thickness 16 mm
Width 145 mm	Height 56 mm	Braking system Lucas
Wear indicator Without	WVA number 21481	Accessories With accessories With anti-squeal shim With brake caliper bolts

	P24039N		407.E672.358.N
			SCREW M8x1.25x21 05.E659.000 - X2 
WVA: 21481 QTY: x4			
<small>DATE : 04/12/2023 VERSION : 00</small>			

COMPATIBLE VEHICLES

COMPATIBLE OE PART NUMBERS

1203933 FORD

1495951 FORD

1954459 FORD

1954460 FORD

1956495 FORD

1957042 FORD

1L4J2K021AA FORD

1L4J2K021AB FORD

410600F025 NISSAN

410602X825 NISSAN

410609C125 NISSAN

410609C525 NISSAN

410609C526 NISSAN

D10602X80A NISSAN
