



BRAKE PAD PRIME CERAMIC P24171N

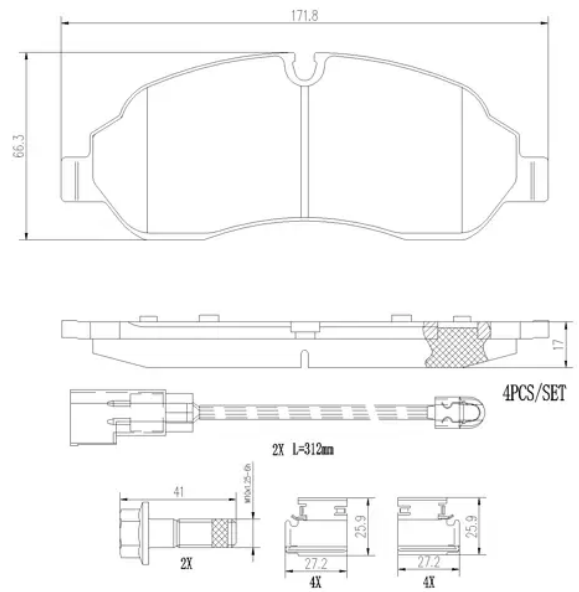
**The P24171N NAO brake pad is
synonymous with reliability**

Brembo NAO brake pads stand out for their ultimate braking comfort, reduced friction wear and low dust mission, which makes for cleaner rims and reduced maintenance requirements. The advanced friction material in keeping with the strictest environmental standards is the main distinguishing feature of NAO compounds.

- ✓ OE-equivalent
- ✓ Brembo quality
- ✓ Safety
- ✓ Comfort
- ✓ Durability
- ✓ Dust reduction
- ✓ With accessories

Technical specifications

EAN code 8020584113592	Axle Front	Thickness 17 mm
Width 172 mm	Height 66 mm	Braking system Bosch
Wear indicator Electric	WVA number 22034	Accessories With anti-squeal shim With brake caliper bolts With accessories



COMPATIBLE VEHICLES

COMPATIBLE OE PART NUMBERS

1824121	FORD
1829400	FORD
1840479	FORD
2005967	FORD
2005987	FORD
2006026	FORD
2006028	FORD
2325323	FORD
2391870	FORD
2511669	FORD
2511705	FORD
BK2Z2001C	FORD
BK2Z2001D	FORD
BK312K021AA	FORD
BK312K021AB	FORD
BK312K021AC	FORD
BK312K021AD	FORD
BK312K021AE	FORD
BK312K021AF	FORD
BK3Z2001A	FORD
BK3Z2001E	FORD
BK3Z2001F	FORD
CK4Z2001A	FORD
CK4Z2001B	FORD
JK2Z2001A	FORD
JK2Z2001B	FORD
JK2Z2001C	FORD
KTJK212K021GB	FORD
MEBK2J2K021BA	FORD
MEBK3J2K021AA	FORD
GK292K021AB	FORD (CHANGAN)