



# BRAKE PAD PRIME CERAMIC P37026N

The P37026N NAO brake pad is synonymous with reliability

Brembo NAO brake pads stand out for their ultimate braking comfort, reduced friction wear and low dust mission, which makes for cleaner rims and reduced maintenance requirements. The advanced friction material in keeping with the strictest environmental standards is the main distinguishing feature of NAO compounds.

- ✓ OE-equivalent
- ✓ Brembo quality
- ✓ Safety
- ✓ Comfort
- ✓ Durability
- ✓ Dust reduction
- ✓ With accessories

## Technical specifications

EAN code  
**8020584119303**

Axle  
**Rear**

Thickness  
**19 mm**

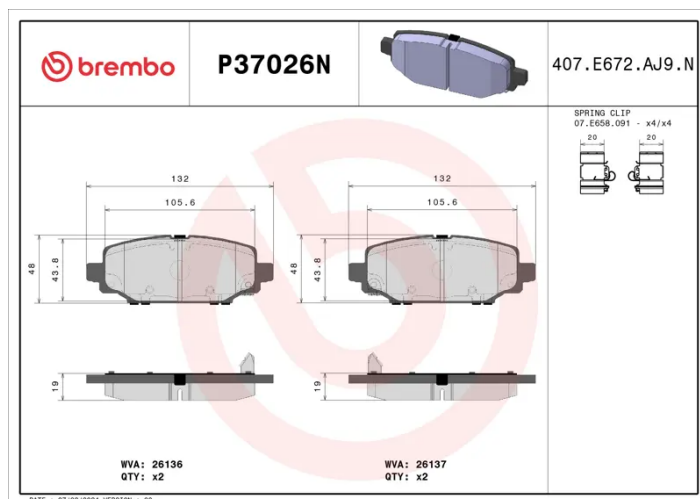
Width  
**132 mm**

Height  
**48 mm**

Wear indicator  
**Acoustic**

WVA number  
**26136,26137**

Accessories  
**With anti-squeal shim**



COMPATIBLE VEHICLES

## COMPATIBLE OE PART NUMBERS

68385238AA JEEP

---

68385238AB JEEP

---

68385238AC JEEP

---

K68385238AA JEEP

---