



# BRAKE PAD PRIME CERAMIC P59090N

The P59090N NAO brake pad is synonymous with reliability

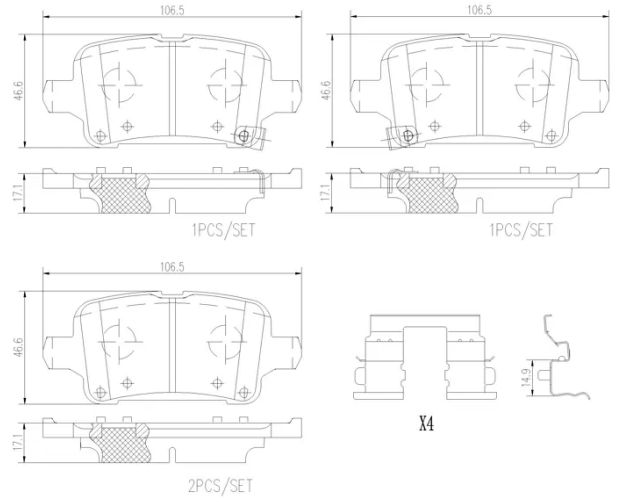
Brembo NAO brake pads stand out for their ultimate braking comfort, reduced friction wear and low dust mission, which makes for cleaner rims and reduced maintenance requirements. The advanced friction material in keeping with the strictest environmental standards is the main distinguishing feature of NAO compounds.

- ✓ OE-equivalent
- ✓ Brembo quality
- ✓ Safety
- ✓ Comfort
- ✓ Durability
- ✓ Dust reduction
- ✓ With accessories



## Technical specifications

EAN code <b>8020584069721</b>	Axle <b>Rear</b>	Thickness <b>17 mm</b>
Width <b>107 mm</b>	Height <b>47 mm</b>	Braking system <b>TRW</b>
Wear indicator <b>Acoustic</b>	WVA number <b>22129,22130,22131</b>	Accessories <b>With anti-squeal shim</b>



**COMPATIBLE VEHICLES**

## COMPATIBLE OE PART NUMBERS

13454674 BUICK (SGM)

---

39021615 BUICK (SGM)

---

42679627 BUICK (SGM)

---

84881072 CADILLAC

---

13454674 CHEVROLET

---

39021615 CHEVROLET

---

13454674 CHEVROLET (SGM)

---

42676498 CHEVROLET (SGM)

---

39021615 OPEL

---

39037199 OPEL

---

95526568 OPEL

---