



BRAKE PAD PRIME CERAMIC P83082N

The P83082N NAO brake pad is
synonymous with reliability

Brembo NAO brake pads stand out for their ultimate braking comfort, reduced friction wear and low dust mission, which makes for cleaner rims and reduced maintenance requirements. The advanced friction material in keeping with the strictest environmental standards is the main distinguishing feature of NAO compounds.

- ✓ OE-equivalent
- ✓ Brembo quality
- ✓ Safety
- ✓ Comfort
- ✓ Durability
- ✓ Dust reduction
- ✓ With accessories



Technical specifications

EAN code
8020584099780

Axle
Front

Thickness
18 mm

Width
139 mm

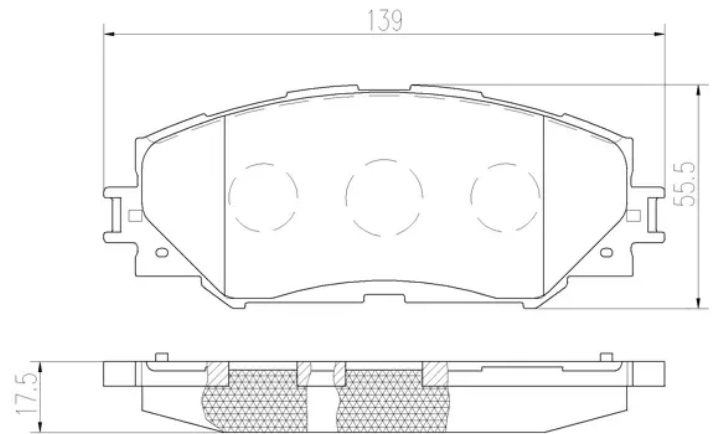
Height
56 mm

Braking system
Akebono

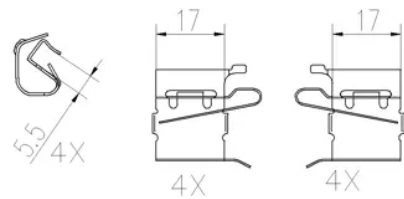
Wear indicator
Acoustic

WVA number
24336

Accessories
With anti-squeal shim



4 PCS/SET



COMPATIBLE VEHICLES

COMPATIBLE OE PART NUMBERS

19184912	PONTIAC
0446502220	TOYOTA
0446502240	TOYOTA
0446502310	TOYOTA
0446502400	TOYOTA
044650D200	TOYOTA
044650R010	TOYOTA
0446512610	TOYOTA
0446528540	TOYOTA
0446542160	TOYOTA
044654216079	TOYOTA
0446542200	TOYOTA
04465D8000	TOYOTA
04465WY040	TOYOTA
04465YZZDR	TOYOTA