



BRAKE PAD PRIME CERAMIC P83089N

The P83089N NAO brake pad is
synonymous with reliability

Brembo NAO brake pads stand out for their ultimate braking comfort, reduced friction wear and low dust mission, which makes for cleaner rims and reduced maintenance requirements. The advanced friction material in keeping with the strictest environmental standards is the main distinguishing feature of NAO compounds.

- ✓ OE-equivalent
- ✓ Brembo quality
- ✓ Safety
- ✓ Comfort
- ✓ Durability
- ✓ Dust reduction
- ✓ With accessories



Technical specifications

EAN code
8020584099810

Axle
Rear

Thickness
15 mm

Width
97 mm

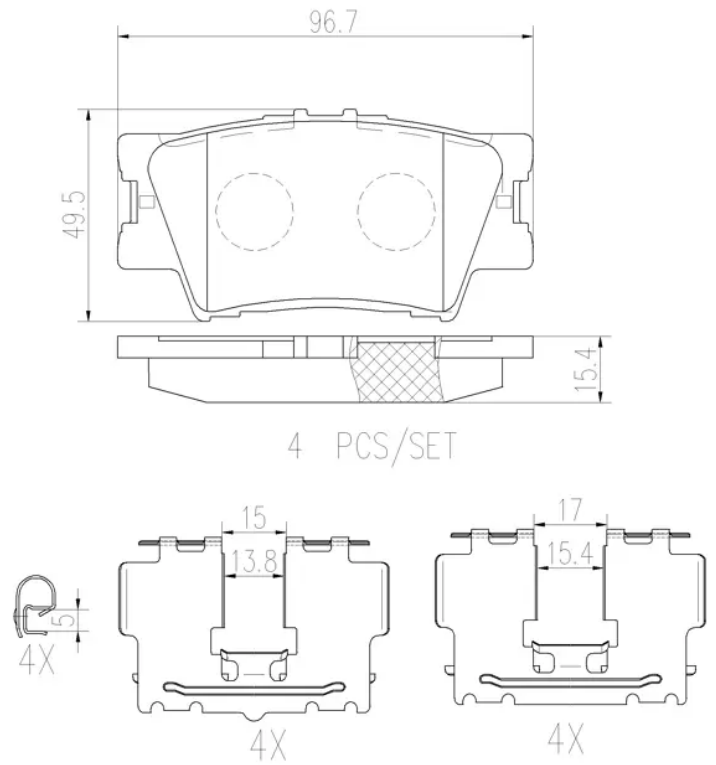
Height
50 mm

Braking system
Akebono

Wear indicator
Acoustic

WVA number
24338

Accessories
With anti-squeal shim



COMPATIBLE VEHICLES

COMPATIBLE OE PART NUMBERS

0446675010	LEXUS
19184917	PONTIAC
0446602220	TOYOTA
0446606060	TOYOTA
0446606070	TOYOTA
0446606090	TOYOTA
0446606100	TOYOTA
0446606200	TOYOTA
0446606210	TOYOTA
0446606220	TOYOTA
044660A010	TOYOTA
0446633160	TOYOTA
0446633180	TOYOTA
0446633200	TOYOTA
0446633210	TOYOTA
0446642060	TOYOTA
044664206079	TOYOTA
0446642070	TOYOTA
0446675010	TOYOTA
04466WY050	TOYOTA
04466YZZE8	TOYOTA
0446642070	TOYOTA (FAW)