



BRAKE PAD

P 24 041

The P 24 041 brake pad is synonymous with reliability

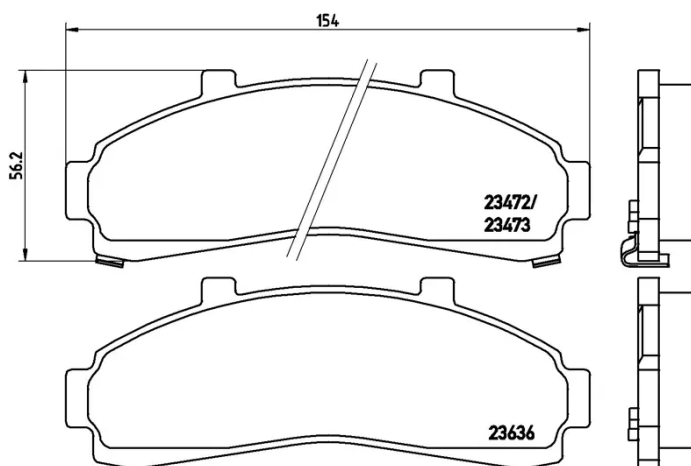
The Brembo brake pad guarantees ultimate safety when braking thanks to the use of more than 100 different compounds, designed according to the type of vehicle and use. Stopping distances reduced to a minimum, maximum driving comfort and silent operation are the most important features of Brembo materials. Brembo brake pads are supplied together with an extensive range of accessories and assembly kits for professional-standard installation.

- ✓ OE-equivalent
- ✓ Brembo quality
- ✓ ECE-R90 certificate
- ✓ Safety
- ✓ Performance
- ✓ Comfort



Technical specifications

EAN code	Axle	Thickness
8020584052136	Front	17 mm
Width	Height	Braking system
154 mm	56 mm	Wagner
Wear indicator	WVA number	Accessories
Acoustic	23472,23473,23636	With anti-squeal shim



COMPATIBLE VEHICLES

COMPATIBLE OE PART NUMBERS

2L5Z2001AA	FORD
3787544	FORD
F57Z2001A	FORD
F57Z2001AA	FORD
U0Y93323ZA	FORD
XL242001BA	FORD
XL2Z2001AA	FORD
1L2Z2001CA	FORD USA
2L542001AA	FORD USA
2L5Z2001AA	FORD USA
3L2J2001AA	FORD USA
3L2J2001BA	FORD USA
4444107	FORD USA
4532718	FORD USA
4586794	FORD USA
4901992	FORD USA
7L5J2001AA	FORD USA
XL2Z2001BA	FORD USA
ZZM049280	MAZDA
ZZM049280A	MAZDA
ZZR049280	MAZDA
ZZR049280A	MAZDA
XL2Z2001AA	MERCURY