



## GREENANCE BRAKE PAD P 24 171G

The brake pad P 24 171G to be combined with the Greenance brake disc

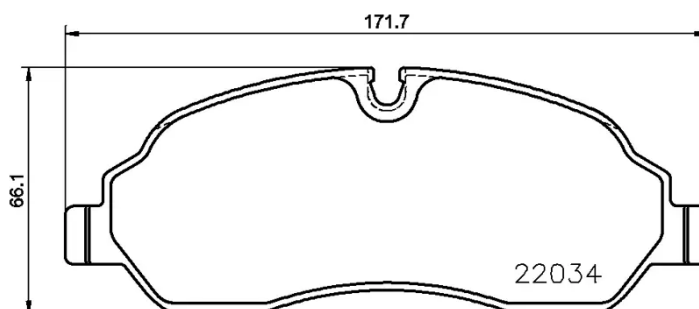
The Beyond Greenance brake pad in combination with the Greenance brake disc will reduce PM10 and PM2.5 fine particulate emissions, limiting the environmental footprint of your driving. This brake pad is part of the Beyond Greenance Kit, to guarantee superior resistance to wear and therefore longer durability of components.

- ✓ Brembo quality
- ✓ ECE-R90 certificate
- ✓ Comfort
- ✓ Dust reduction
- ✓ Green packaging



### Technical specifications

EAN code	Axle	Thickness
8020584125359	Front	17 mm
Width	Height	Braking system
172 mm	66 mm	Bosch
Wear indicator	WVA number	Accessories
Electric	22034	With accessories With anti-squeal shim With brake caliper bolts



COMPATIBLE VEHICLES

## COMPATIBLE OE PART NUMBERS

1824121	FORD
1829400	FORD
1840479	FORD
2005967	FORD
2005987	FORD
2006026	FORD
2006028	FORD
2325323	FORD
2391870	FORD
2511669	FORD
2511705	FORD
BK2Z2001C	FORD
BK2Z2001D	FORD
BK312K021AA	FORD
BK312K021AB	FORD
BK312K021AC	FORD
BK312K021AD	FORD
BK312K021AE	FORD
BK312K021AF	FORD
BK3Z2001A	FORD
BK3Z2001E	FORD
BK3Z2001F	FORD
CK4Z2001A	FORD
CK4Z2001B	FORD
JK2Z2001A	FORD
JK2Z2001B	FORD
JK2Z2001C	FORD
KTJK212K021GB	FORD
MEBK2J2K021BA	FORD
MEBK3J2K021AA	FORD
GK292K021AB	FORD (CHANGAN)