



BRAKE PAD

P 28 015

The P 28 015 brake pad is synonymous with reliability

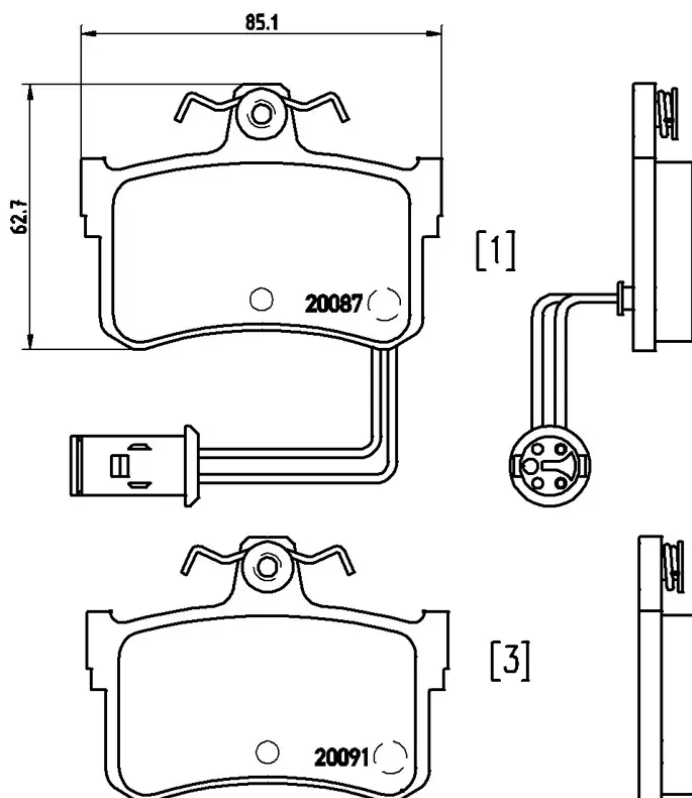
The Brembo brake pad guarantees ultimate safety when braking thanks to the use of more than 100 different compounds, designed according to the type of vehicle and use. Stopping distances reduced to a minimum, maximum driving comfort and silent operation are the most important features of Brembo materials. Brembo brake pads are supplied together with an extensive range of accessories and assembly kits for professional-standard installation.

- ✓ OE-equivalent
- ✓ Brembo quality
- ✓ ECE-R90 certificate
- ✓ Safety
- ✓ Performance
- ✓ Comfort



Technical specifications

EAN code 8020584052495	Axle Rear	Thickness 14 mm
Width 85 mm	Height 63 mm	Braking system Lucas
Wear indicator Electric	WVA number 20087,20091	Accessories With anti-squeal shim



COMPATIBLE OE PART NUMBERS

43022SG9V00

HONDA

GBP90302

ROVER
