



BRAKE PAD

P 28 082

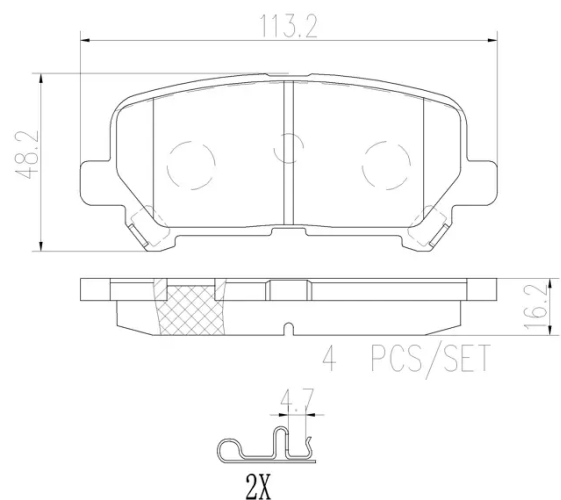
The P 28 082 brake pad is synonymous with reliability

The Brembo brake pad guarantees ultimate safety when braking thanks to the use of more than 100 different compounds, designed according to the type of vehicle and use. Stopping distances reduced to a minimum, maximum driving comfort and silent operation are the most important features of Brembo materials. Brembo brake pads are supplied together with an extensive range of accessories and assembly kits for professional-standard installation.

- ✓ OE-equivalent
- ✓ Brembo quality
- ✓ ECE-R90 certificate
- ✓ Safety
- ✓ Performance
- ✓ Comfort

Technical specifications

EAN code	Axle	Thickness
8020584069882	Rear	16 mm
Width	Height	Braking system
113 mm	48 mm	Akebono
Wear indicator	WVA number	Accessories
Acoustic	25434	With anti-squeal shim



COMPATIBLE VEHICLES

COMPATIBLE OE PART NUMBERS

43022STXA00	ACURA
-------------	-------

43022STXA01	ACURA
-------------	-------

43022SZAA01	ACURA
-------------	-------

52034685	CHEVROLET
----------	-----------

43022STXA00	HONDA
-------------	-------

43022STXA01	HONDA
-------------	-------

43022SZAA00	HONDA
-------------	-------

43022SZAA11	HONDA
-------------	-------

43022TK8A00	HONDA
-------------	-------

43022TK8A01	HONDA
-------------	-------

8982325430	ISUZU
------------	-------

0446626030	TOYOTA
------------	--------