



BRAKE PAD

P 28 061

The P 28 061 brake pad is synonymous with reliability

The Brembo brake pad guarantees ultimate safety when braking thanks to the use of more than 100 different compounds, designed according to the type of vehicle and use. Stopping distances reduced to a minimum, maximum driving comfort and silent operation are the most important features of Brembo materials. Brembo brake pads are supplied together with an extensive range of accessories and assembly kits for professional-standard installation.

- ✓ OE-equivalent
- ✓ Brembo quality
- ✓ ECE-R90 certificate
- ✓ Safety
- ✓ Performance
- ✓ Comfort
- ✓ With accessories



Technical specifications

EAN code
8020584103067

Thickness
15 mm

Width
89 mm

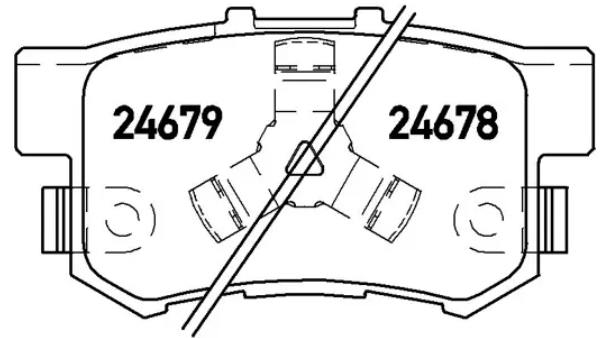
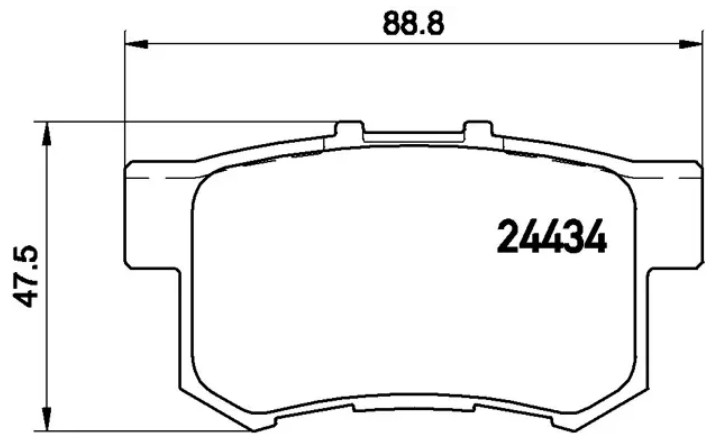
Height
48 mm

Braking system
Nissin

Wear indicator
Acoustic

WVA number
24434,24678,24679

Accessories
With accessories
With anti-squeal shim
With piston clip



COMPATIBLE OE PART NUMBERS

43022S9A030

HONDA

43022TP6A02

HONDA