



BRAKE DISC

08.2559.24

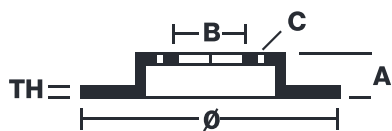
The 08.2559.24 brake disc is synonymous with reliability

The Brembo brake disc is fully interchangeable with an Original Equipment brake disc. The control of the entire production cycle allows Brembo to offer brake discs with outstanding performance levels, reliability, durability and comfort in all conditions of use. All Brembo brake discs are accompanied by the ECE-R90 homologation.

- ✓ OE-equivalent
- ✓ Brembo quality
- ✓ ECE-R90 certificate
- ✓ Safety



Technical specifications



EAN code
8020584013427

Axle
Front

Diameter Ø
252 mm

Thickness (TH)
10,5 mm

Height (A)
65 mm

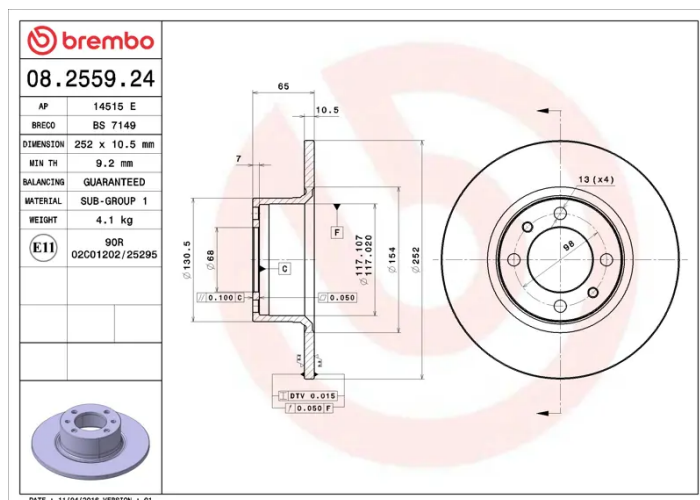
Number of holes (C)
4

Brake disc type
Solid

Centering (B)
68 mm

Min. thickness
9,2 mm

Tightening torque
75 Nm



COMPATIBLE VEHICLES

COMPATIBLE OE PART NUMBERS

21013103002	LADA
-------------	------

21013103010	LADA
-------------	------

21013501070	LADA
-------------	------

3103002	LADA
---------	------
