



BRAKE DISC

08.8163.10

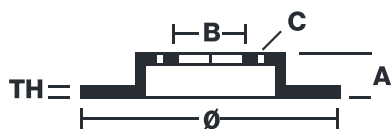
The 08.8163.10 brake disc is synonymous with reliability

The Brembo brake disc is fully interchangeable with an Original Equipment brake disc. The control of the entire production cycle allows Brembo to offer brake discs with outstanding performance levels, reliability, durability and comfort in all conditions of use. All Brembo brake discs are accompanied by the ECE-R90 homologation.

- ✓ OE-equivalent
- ✓ Brembo quality
- ✓ ECE-R90 certificate
- ✓ Safety
- ✓ High carbon
- ✓ Fastening screws



Technical specifications



EAN code
8020584816318

Axle
Front and rear

Diameter Ø
280 mm

Thickness (TH)
9 mm

Height (A)
38 mm

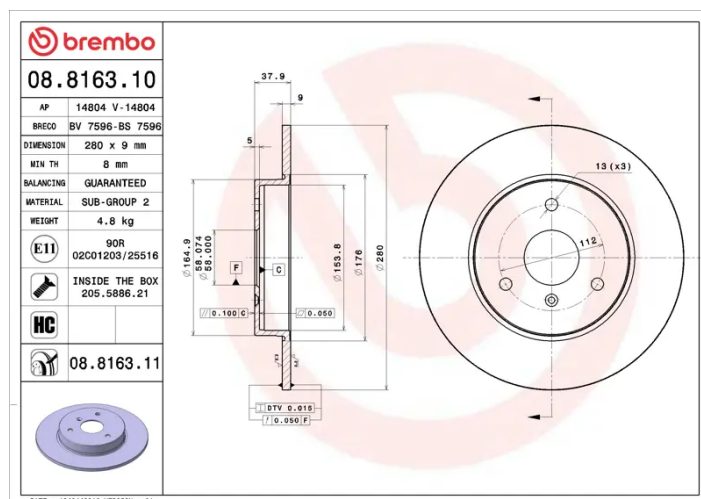
Number of holes (C)
3

Brake disc type
Solid

Centering (B)
58 mm

Min. thickness
8 mm

Tightening torque
120 Nm



COMPATIBLE VEHICLES

COMPATIBLE OE PART NUMBERS

0508333251	KIA
------------	-----

0004341V001	SMART
-------------	-------

0004341V002	SMART
-------------	-------

0004341V003	SMART
-------------	-------

4341V001000000	SMART
----------------	-------

4341V002000000	SMART
----------------	-------