



# BRAKE DISC MAX

## 08.C425.75

The 08.C425.75 Max brake disc is synonymous with reliability

The Brembo Max brake disc features grooves on the braking surface. The special shape of the grooves generates greater fading resistance and constant renewal of friction material, quickly restoring optimum braking conditions. The UV paint completes the sporty look.

- ✓ Brembo quality
- ✓ ECE-R90 certificate
- ✓ Performance
- ✓ Sports driving
- ✓ Sporty look
- ✓ Anti-corrosion



### Technical specifications



EAN code  
**8020584310465**

Axle  
**Rear**

Diameter Ø  
**303 mm**

Thickness (TH)  
**10 mm**

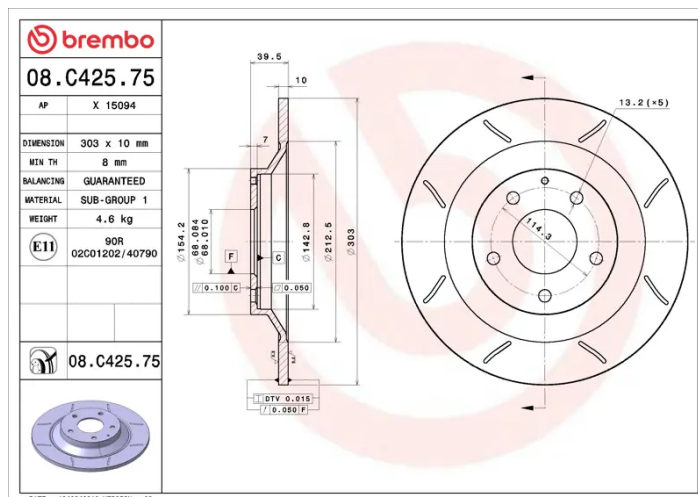
Height (A)  
**40 mm**

Number of holes (C)  
**5**

Brake disc type  
**Solid**

Centering (B)  
**68 mm**

Min. thickness  
**8 mm**



## COMPATIBLE OE PART NUMBERS

SHA026251	HONGQI
K01126251A	MAZDA
K01126251B	MAZDA
K01126251C	MAZDA
K01126251B	MAZDA (CHANGAN)
K01126251C	MAZDA (CHANGAN)
KD5H26251	MAZDA (CHANGAN)