



BRAKE DISC PAINTED

09.5584.11

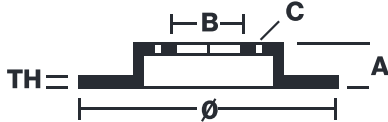
The **09.5584.11** painted brake disc is synonymous with reliability

The Brembo brake disc with special UV paint treatment guarantees superior corrosion resistance for the product, thanks to the protective coating on the outer edges and on the disc hub. The UV paint not only gives the disc a clean, shiny appearance but is also beneficial for the environment as the water-based UV paint treatment does not require the use of chemical solvents and is a low energy consumption process.

- ✓ OE-equivalent
- ✓ Brembo quality
- ✓ ECE-R90 certificate
- ✓ Safety
- ✓ Anti-corrosion



Technical specifications



EAN code
8020584028155

Axle
Front

Diameter Ø
258 mm

Thickness (TH)
24 mm

Height (A)
49 mm

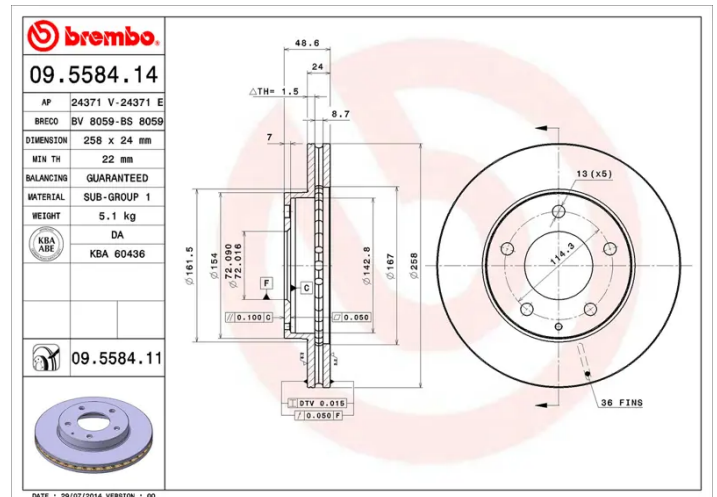
Number of holes (C)
5

Brake disc type
Ventilated

Centering (B)
72 mm

Min. thickness
22 mm

Tightening torque
100 Nm



COMPATIBLE VEHICLES

COMPATIBLE OE PART NUMBERS

3395510	FORD
815222210V	FORD
F32Z1125A	FORD
YS8Z1V125AA	FORD
3395510	FORD USA
3898529	FORD USA
3958455	FORD USA
4146389	FORD USA
F32Z1125A	FORD USA
YS8J2C502AA	FORD USA
GA4Y3325XJL1	HAIMA (FAW)
F32Z1125AA	MAZDA
G4AY3325XJ	MAZDA
GA2Y33251	MAZDA
GA2Y3325X	MAZDA
GA2Y3325XA	MAZDA
GA3Y3325X	MAZDA
GA3Y3325XA	MAZDA
GA4Y3325X	MAZDA
GA4Y3325XA	MAZDA
GA4Y3325XB	MAZDA
GA4Y3325XC	MAZDA
GA4Y3325XD	MAZDA
GA4Y3325XE	MAZDA
GA4Y3325XH	MAZDA
GA4Y3325XJ	MAZDA
GA5Y3325X	MAZDA
GA5Y3325XB	MAZDA
GA5Y3325XC	MAZDA
GA5Y3325XD	MAZDA
GA5Y3325XE	MAZDA
GADY3325XE	MAZDA
GAZY3325X	MAZDA