



# BRAKE DISC PAINTED

## 09.6893.11

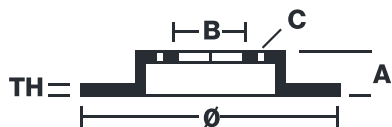
The 09.6893.11 painted brake disc is synonymous with reliability

The Brembo brake disc with special UV paint treatment guarantees superior corrosion resistance for the product, thanks to the protective coating on the outer edges and on the disc hub. The UV paint not only gives the disc a clean, shiny appearance but is also beneficial for the environment as the water-based UV paint treatment does not require the use of chemical solvents and is a low energy consumption process.

- ✓ OE-equivalent
- ✓ Brembo quality
- ✓ ECE-R90 certificate
- ✓ Safety
- ✓ Anti-corrosion
- ✓ Fastening screws



### Technical specifications



EAN code  
**8020584216033**

Axle  
**Front**

Diameter  $\varnothing$   
**282 mm**

Thickness (TH)  
**23 mm**

Height (A)  
**47 mm**

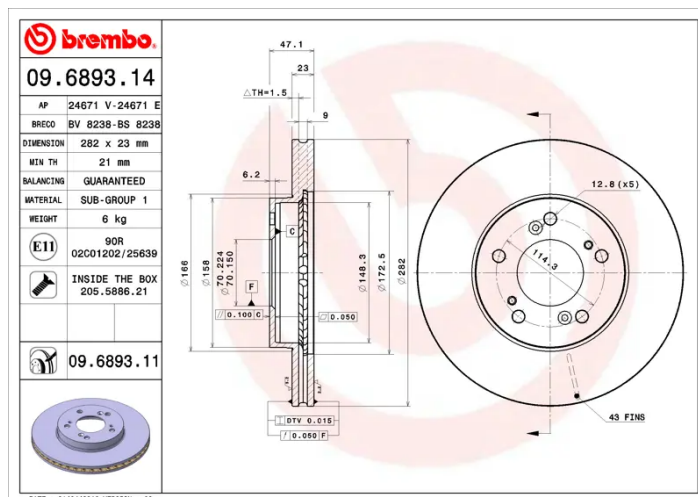
Number of holes (C)  
**5**

Brake disc type  
**Ventilated**

Centering (B)  
**70 mm**

Min. thickness  
**21 mm**

Tightening torque  
**108 Nm**



COMPATIBLE VEHICLES

## COMPATIBLE OE PART NUMBERS

45251S2HN00	ACURA
-------------	-------

45251SP0000	ACURA
-------------	-------

45251SZ3000	ACURA
-------------	-------

45251SZ3E00	ACURA
-------------	-------

5862030550	ACURA
------------	-------

45251S2HN00	HONDA
-------------	-------

45251SP0000	HONDA
-------------	-------

45251SZ3000	HONDA
-------------	-------

45251SZ3E00	HONDA
-------------	-------