



# BRAKE DISC MAX

## 09.9468.76

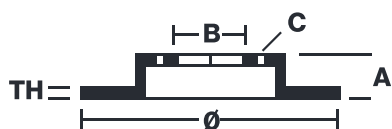
The 09.9468.76 Max brake disc is synonymous with reliability

The Brembo Max brake disc features grooves on the braking surface. The special shape of the grooves generates greater fading resistance and constant renewal of friction material, quickly restoring optimum braking conditions. The UV paint completes the sporty look.

- ✓ Brembo quality
- ✓ ECE-R90 certificate
- ✓ Performance
- ✓ Sports driving
- ✓ Sporty look
- ✓ High carbon
- ✓ Anti-corrosion



### Technical specifications



EAN code  
**8020584031315**

Axle  
**Front**

Diameter  $\varnothing$   
**300 mm**

Thickness (TH)  
**25 mm**

Height (A)  
**49 mm**

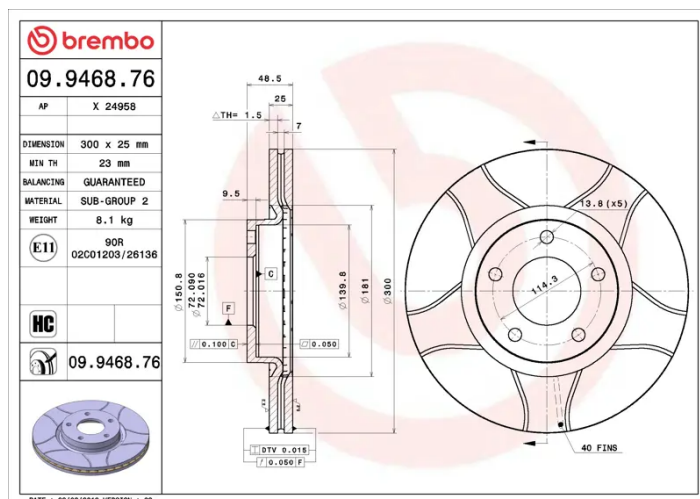
Number of holes (C)  
**5**

Brake disc type  
**Ventilated**

Centering (B)  
**72 mm**

Min. thickness  
**23 mm**

Tightening torque  
**103 Nm**



COMPATIBLE VEHICLES

## COMPATIBLE OE PART NUMBERS

BP6Y3325XD	MAZDA
------------	-------

BP6Y3325XE	MAZDA
------------	-------

BP6Y3325XF	MAZDA
------------	-------

C26Y3325X	MAZDA
-----------	-------

C26Y3325XA	MAZDA
------------	-------

C26Y3325XB	MAZDA
------------	-------

C26Y3325XC	MAZDA
------------	-------

C26Y3325XD	MAZDA
------------	-------