



BRAKE DISC PAINTED

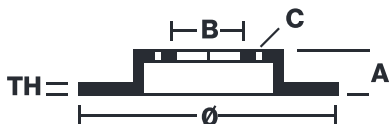
09.E292.11

The **09.E292.11** painted brake disc is synonymous with reliability

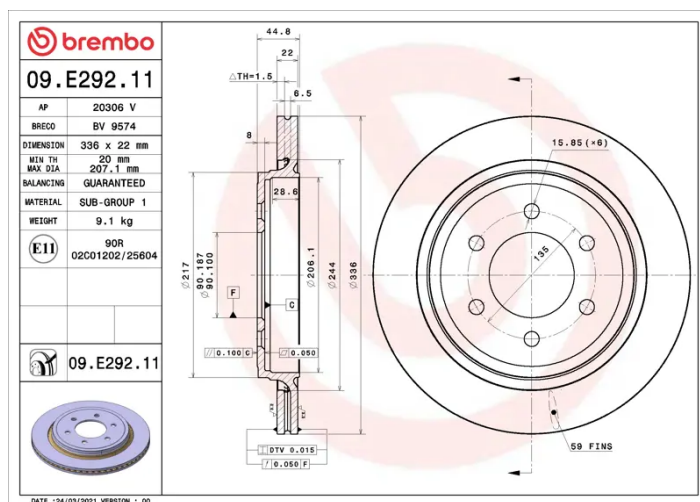
The Brembo brake disc with special UV paint treatment guarantees superior corrosion resistance for the product, thanks to the protective coating on the outer edges and on the disc hub. The UV paint not only gives the disc a clean, shiny appearance but is also beneficial for the environment as the water-based UV paint treatment does not require the use of chemical solvents and is a low energy consumption process.

- ✓ OE-equivalent
- ✓ Brembo quality
- ✓ ECE-R90 certificate
- ✓ Safety
- ✓ Anti-corrosion

Technical specifications



EAN code	Axle	Diameter \varnothing
8020584320068	Rear	336 mm
Thickness (TH)	Height (A)	Number of holes (C)
22 mm	45 mm	6
Brake disc type	Centering (B)	Min. thickness
Ventilated	90 mm	20 mm



COMPATIBLE VEHICLES

COMPATIBLE OE PART NUMBERS

FL3Z2C026A	FORD
------------	------

FL3Z2C026B	FORD
------------	------

FL3Z2C026D	FORD
------------	------

FL3Z2C026A	FORD USA
------------	----------
