

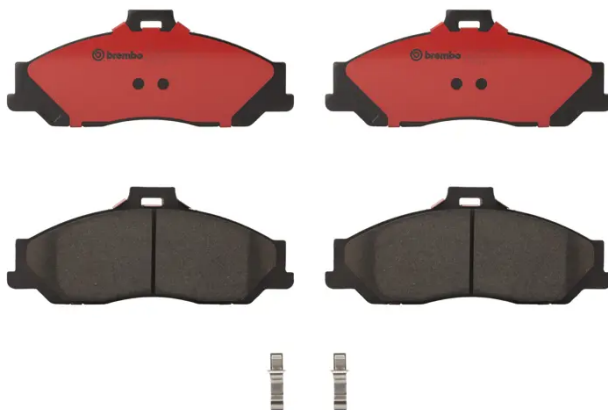


BRAKE PAD PRIME CERAMIC P24051N

The P24051N NAO brake pad is synonymous with reliability

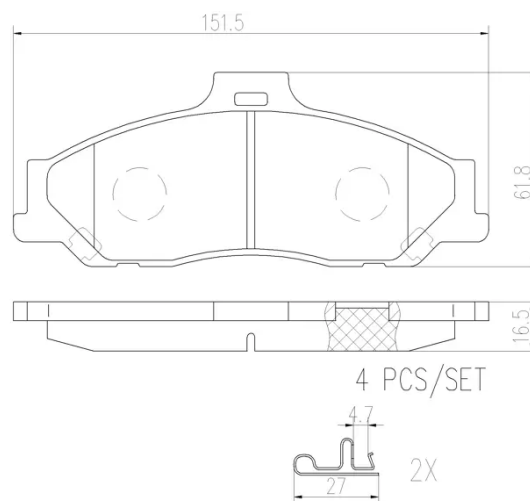
Brembo NAO brake pads stand out for their ultimate braking comfort, reduced friction wear and low dust mission, which makes for cleaner rims and reduced maintenance requirements. The advanced friction material in keeping with the strictest environmental standards is the main distinguishing feature of NAO compounds.

- ✓ OE-equivalent
- ✓ Brembo quality
- ✓ Safety
- ✓ Comfort
- ✓ Durability
- ✓ Dust reduction
- ✓ With accessories



Technical specifications

EAN code 8020584088418	Axle Front	Thickness 17 mm
Width 152 mm	Height 62 mm	Braking system Kelsey Hayes
Wear indicator Acoustic	WVA number 23540	Accessories With anti-squeal shim



COMPATIBLE VEHICLES

COMPATIBLE OE PART NUMBERS

2M342001EA FORD

3668591 FORD

3894956 FORD

4119192 FORD

4420000 FORD

4509526 FORD

4509599 FORD

UHY13328ZETB FORD

UHY63323Z FORD

UHY63328Z FORD

XM342001AB FORD

XM342001AC FORD

XM342001AE FORD

XM342B321AA FORD

2M342001FA FORD USA

4420002 FORD USA

UHY13328ZE9MC FORD USA

UHY13328ZEMC FORD USA

UHY13323ZA MAZDA

UHY13323ZD MAZDA

UHY13323ZE MAZDA

UHY13328ZB MAZDA

UHY13328ZC MAZDA

UHY13328ZD MAZDA

UHY13328ZE MAZDA

UHY13328ZF MAZDA

UHYA3328ZD MAZDA

UJY63323Z MAZDA

UHY13323ZB MITSUBISHI

UHY13328ZA MITSUBISHI

UHY13329Z MITSUBISHI

UJY63328Z MITSUBISHI