



BRAKE PAD PRIME CERAMIC P28021N

The P28021N NAO brake pad is synonymous with reliability

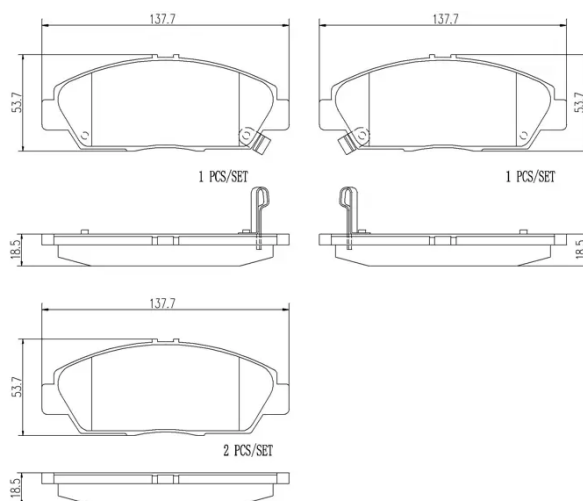
Brembo NAO brake pads stand out for their ultimate braking comfort, reduced friction wear and low dust mission, which makes for cleaner rims and reduced maintenance requirements. The advanced friction material in keeping with the strictest environmental standards is the main distinguishing feature of NAO compounds.

- ✓ OE-equivalent
- ✓ Brembo quality
- ✓ Safety
- ✓ Comfort
- ✓ Durability
- ✓ Dust reduction
- ✓ With accessories



Technical specifications

EAN code 8020584088562	Axle Front	Thickness 19 mm
Width 138 mm	Height 54 mm	Braking system Akebono
Wear indicator Acoustic	WVA number 21879,21880,21881	Accessories With anti-squeal shim



COMPATIBLE VEHICLES

COMPATIBLE OE PART NUMBERS

45022S30408 HONDA

45022S30G10 HONDA

45022S30G11 HONDA

45022S30G12 HONDA

45022S30J00 HONDA

45022S30J01 HONDA

45022S30J02 HONDA

45022SE0528 HONDA

45022SE0G10 HONDA

45022SL5000 HONDA

45022SL5010 HONDA

45022SL5020 HONDA

45022SL5408 HONDA

45022SN7G40 HONDA

45022SN7G41 HONDA

45022SN7G42 HONDA

45022SN7Y40 HONDA

45022S50000 HONDA

45022S50505 HONDA

45022S50508 HONDA

45022S50515 HONDA

45022S50518 HONDA

45022S50525 HONDA

45022S50528 HONDA

45022S50G10 HONDA

45022S52408 HONDA

H4502S30003 HONDA

AY040HN009 NISSAN

GBP90330AF ROVER

GBP90338 ROVER

GBP90338AF ROVER
