



BRAKE PAD PRIME CERAMIC P37007N

The P37007N NAO brake pad is synonymous with reliability

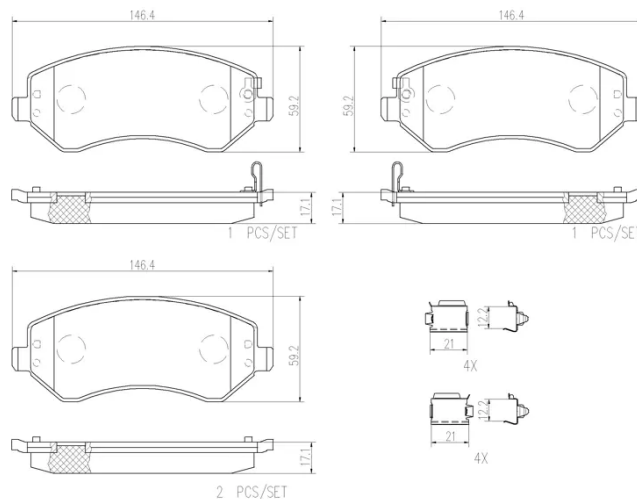
Brembo NAO brake pads stand out for their ultimate braking comfort, reduced friction wear and low dust mission, which makes for cleaner rims and reduced maintenance requirements. The advanced friction material in keeping with the strictest environmental standards is the main distinguishing feature of NAO compounds.

- ✓ OE-equivalent
- ✓ Brembo quality
- ✓ Safety
- ✓ Comfort
- ✓ Durability
- ✓ Dust reduction
- ✓ With accessories



Technical specifications

EAN code 8020584098219	Axle Front	Thickness 17 mm
Width 146 mm	Height 59 mm	Braking system TRW
Wear indicator Acoustic	WVA number 23638,23639,24884	Accessories With anti-squeal shim



COMPATIBLE VEHICLES

COMPATIBLE OE PART NUMBERS

05019984AA CHRYSLER

05066427AA CHRYSLER

05096349AA CHRYSLER

05139899AA CHRYSLER

5019984AA CHRYSLER

5066427AA CHRYSLER

5096349AA CHRYSLER

5139899AA CHRYSLER

K05019984AA CHRYSLER

K05066427AA CHRYSLER

K05096349AA CHRYSLER

K05139899AA CHRYSLER

05019985AB JEEP

5019985AB JEEP

5069201AA JEEP

5069201AB JEEP

K05019985AB JEEP

K05069201AA JEEP

K05069201AB JEEP

K5019985AB JEEP

K5069201AA JEEP

K5069201AB JEEP

V1013984AE JEEP

V1016349AD JEEP
