

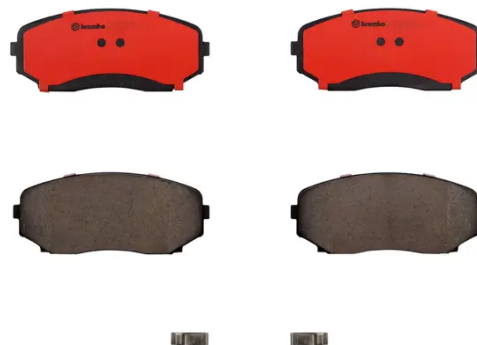


# BRAKE PAD PRIME CERAMIC P49040N

The P49040N NAO brake pad is synonymous with reliability

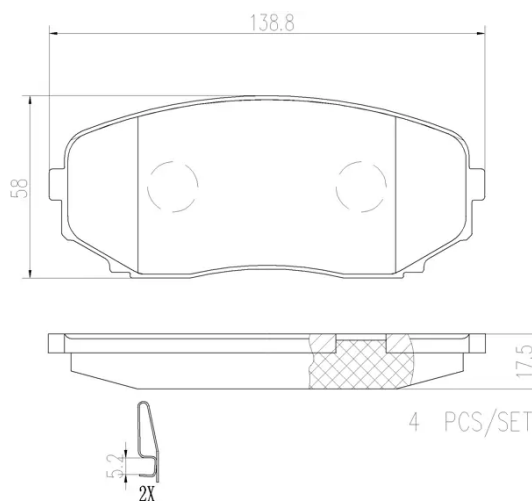
Brembo NAO brake pads stand out for their ultimate braking comfort, reduced friction wear and low dust mission, which makes for cleaner rims and reduced maintenance requirements. The advanced friction material in keeping with the strictest environmental standards is the main distinguishing feature of NAO compounds.

- ✓ OE-equivalent
- ✓ Brembo quality
- ✓ Safety
- ✓ Comfort
- ✓ Durability
- ✓ Dust reduction
- ✓ With accessories



## Technical specifications

EAN code	Axle	Thickness
<b>8020584112236</b>	<b>Front</b>	<b>18 mm</b>
Width	Height	Braking system
<b>139 mm</b>	<b>58 mm</b>	<b>Sumitomo</b>
Wear indicator	WVA number	Accessories
<b>Acoustic</b>	<b>24544</b>	<b>With anti-squeal shim</b>



COMPATIBLE VEHICLES