



# BRAKE PAD PRIME CERAMIC P50188N

**The P50188N NAO brake pad is  
synonymous with reliability**

Brembo NAO brake pads stand out for their ultimate braking comfort, reduced friction wear and low dust mission, which makes for cleaner rims and reduced maintenance requirements. The advanced friction material in keeping with the strictest environmental standards is the main distinguishing feature of NAO compounds.

- ✓ OE-equivalent
- ✓ Brembo quality
- ✓ Safety
- ✓ Comfort
- ✓ Durability
- ✓ Dust reduction
- ✓ With accessories

## Technical specifications

EAN code  
**8020584135044**

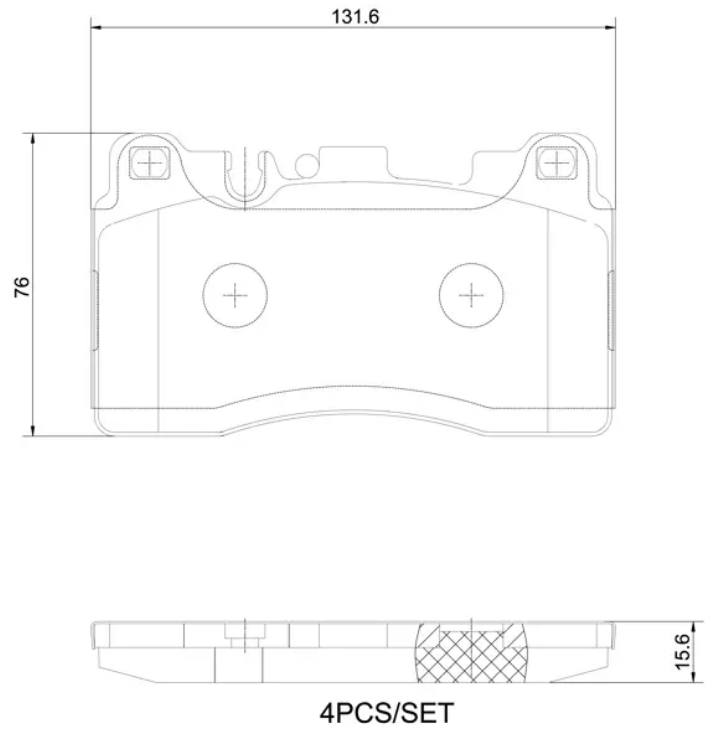
Thickness  
**16 mm**

Width  
**132 mm**

Height  
**76 mm**

Wear indicator  
**Without**

Accessories  
**With anti-squeal shim**



## COMPATIBLE OE PART NUMBERS

0074207220 MERCEDES-BENZ

A0064200820 MERCEDES-BENZ

A0074207220 MERCEDES-BENZ